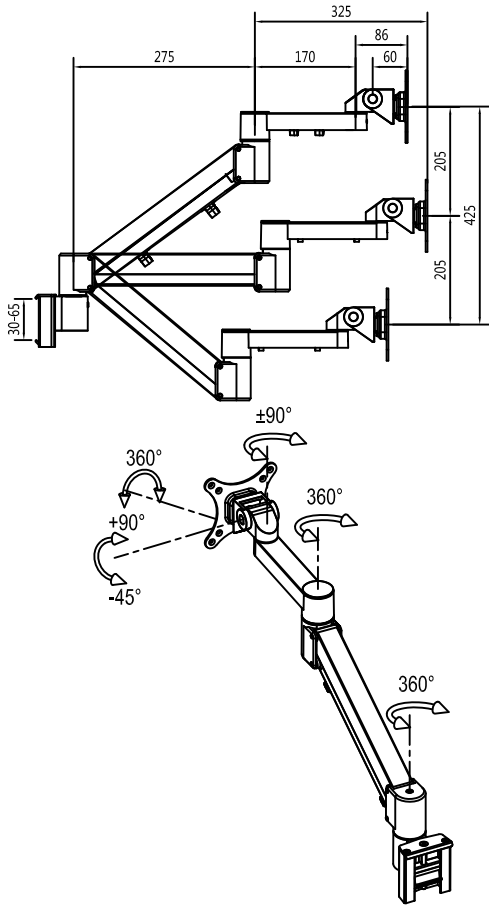
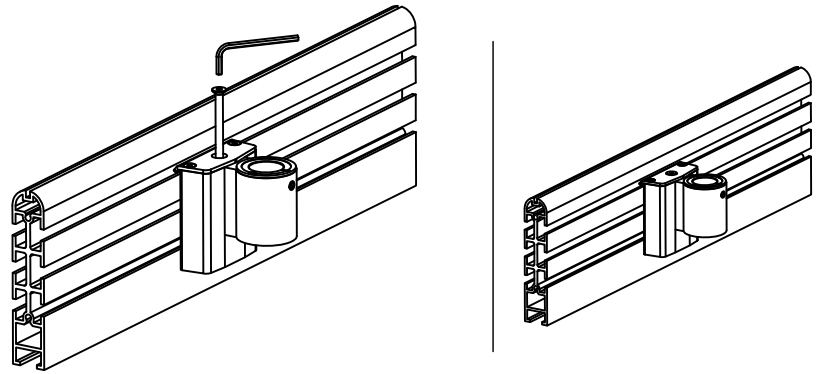


Product Size



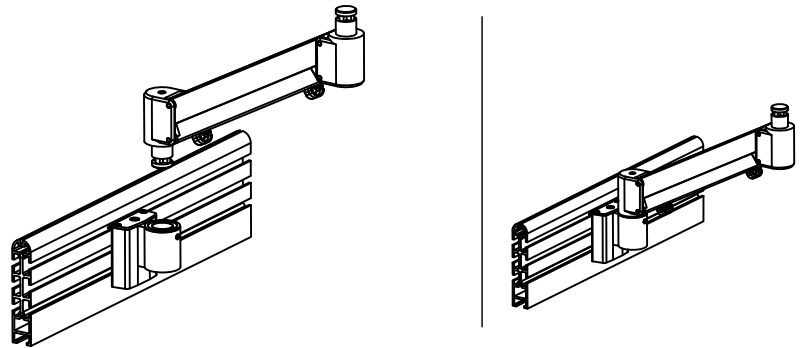
Installation of Slat Rail-fixed Base

①

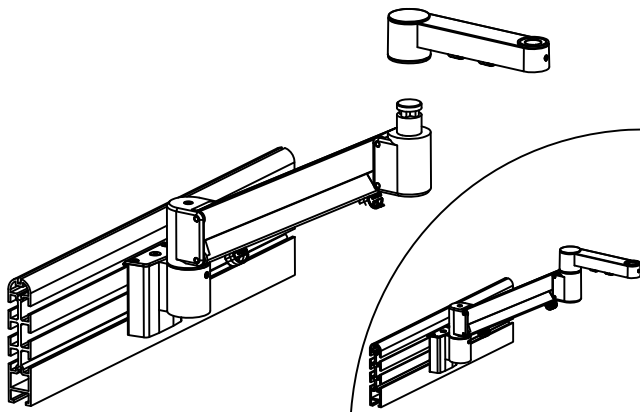


Install Procedure

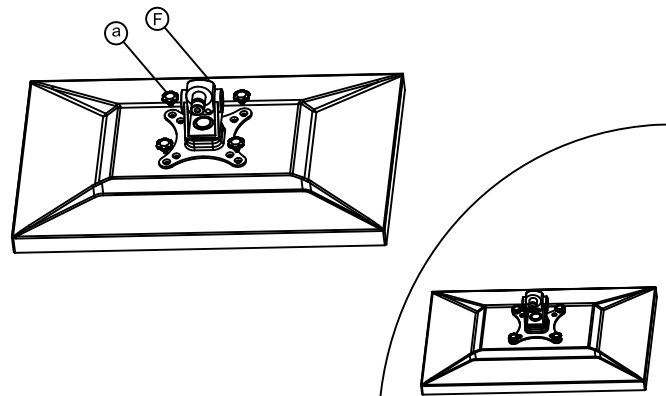
①



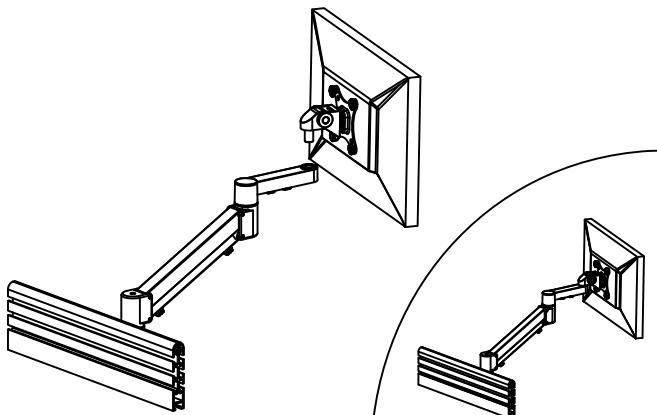
②



③

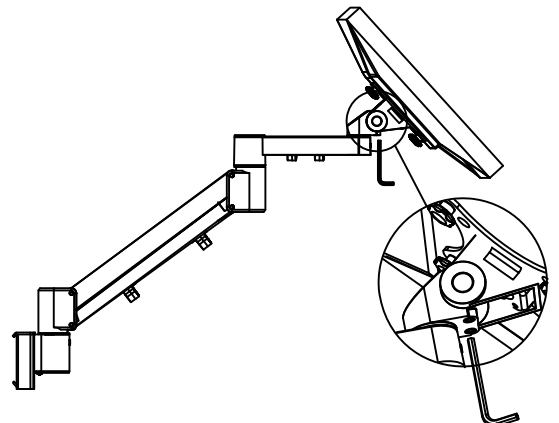


④



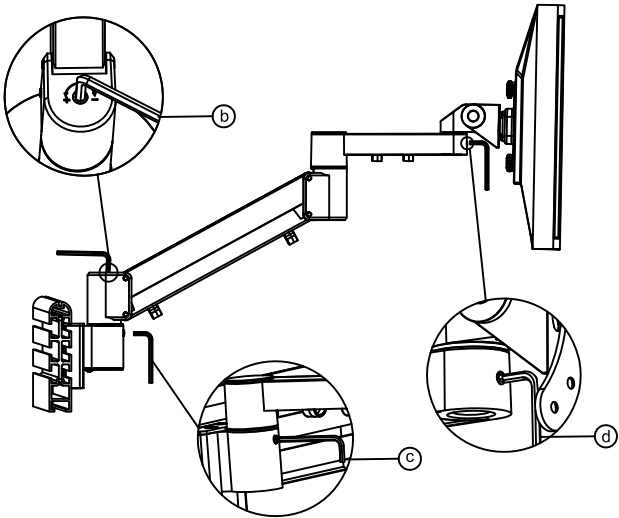
Adjust Procedure

①



Adjust Procedure

2



Module list

No.	Sketch	Specs	Quantity
A			1
B			1
C			1
D			1

Part list

No.	Sketch	Specs	Quantity
a			4
b		M5	1
c		M4	1
d		M3	1