

LCD Monitor Arm // Installation Manual

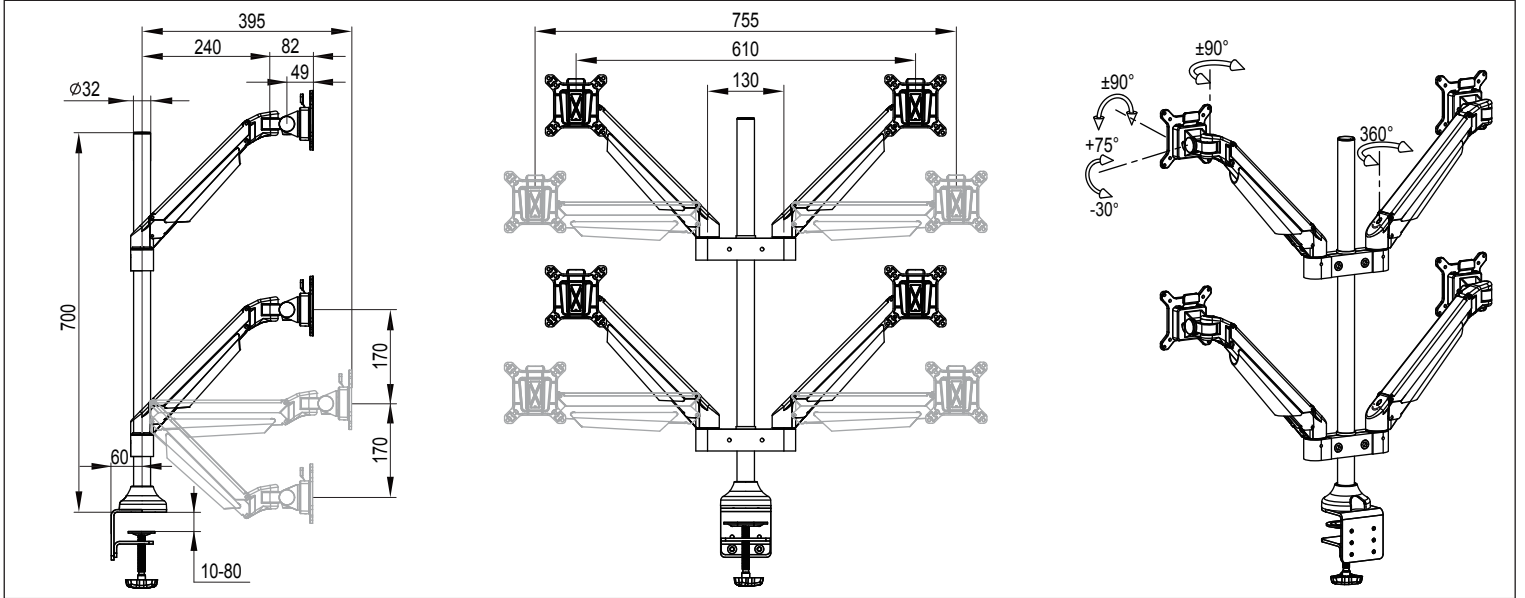
Product name: Full motion pole quad monitor gas arm

Model no. BS400

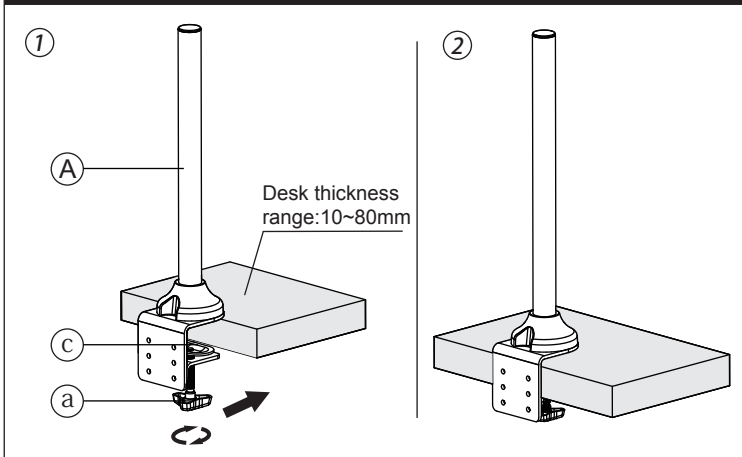
Product Specification

Sketch											Desk thick-ness(mm)	
Item	Monitor size	Weight range (kg)	Lift(mm)	Tilt	Swivel	Pivot	VESA	Packing size (mm)	N.W(kg)	G.W(kg)	Thru-desk	Desk clamp
Specifica-tion	≤24"	2-10	340	+75°~ -30°	±90°	±90°	75*75	965*255*150	10	11.5	30	80
		8-20					100*100					

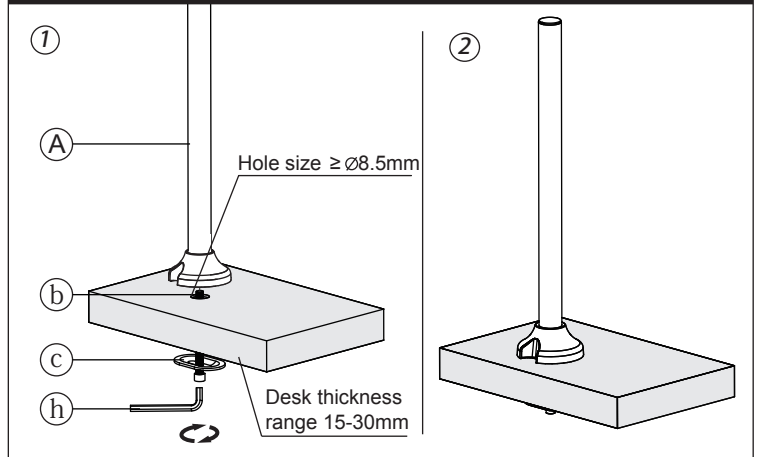
Product Size



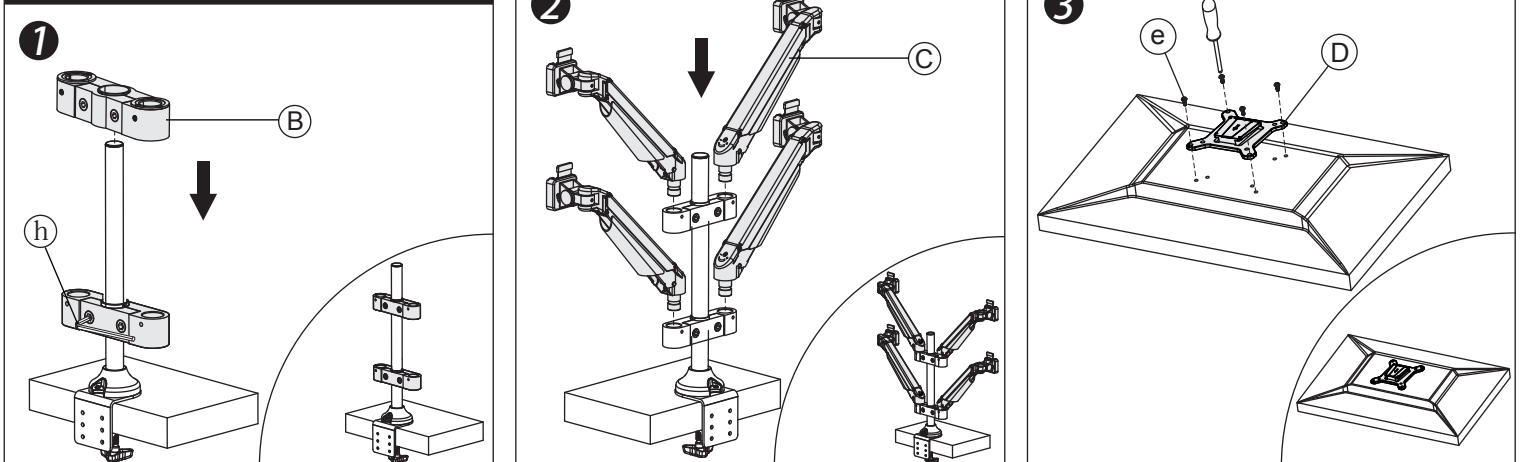
Installation – Desk Clamp

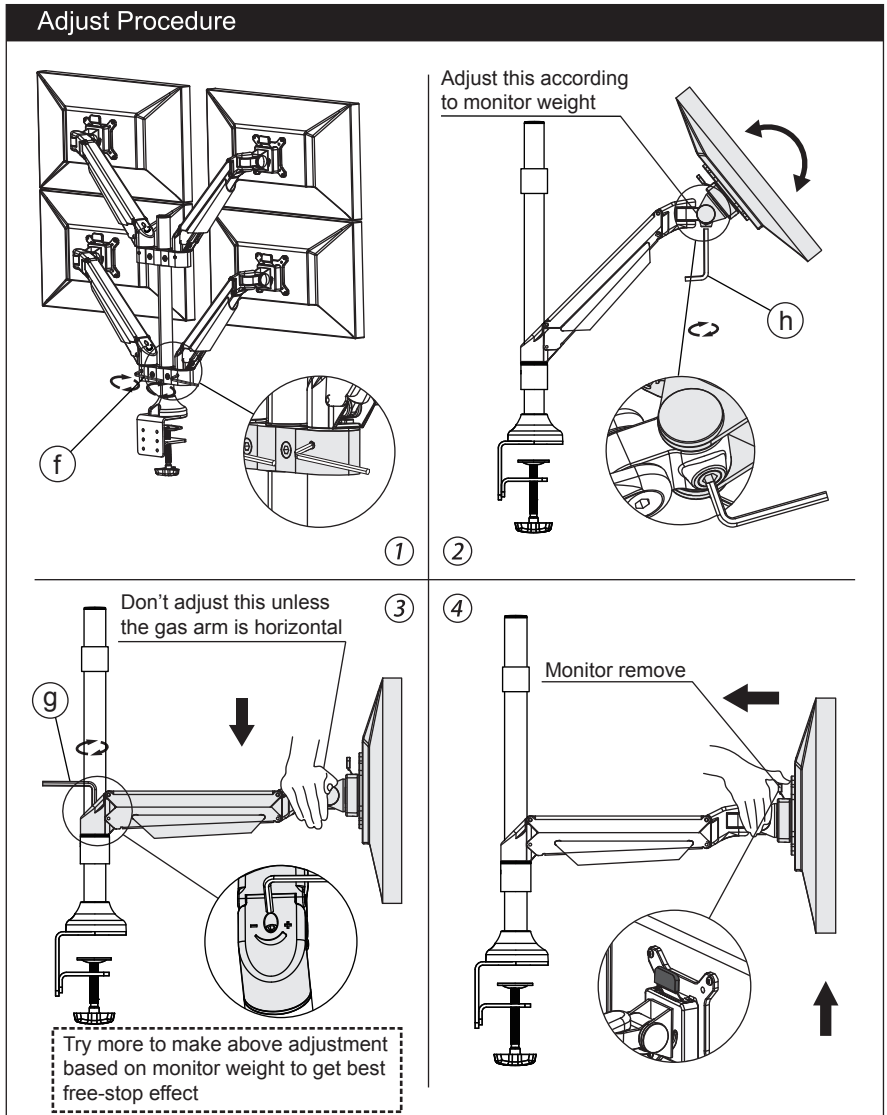
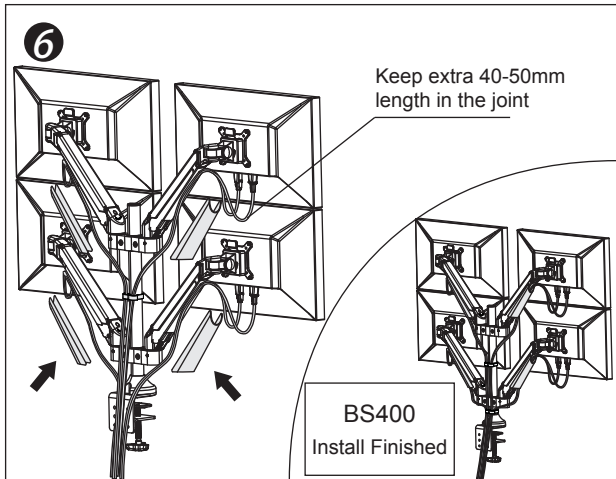
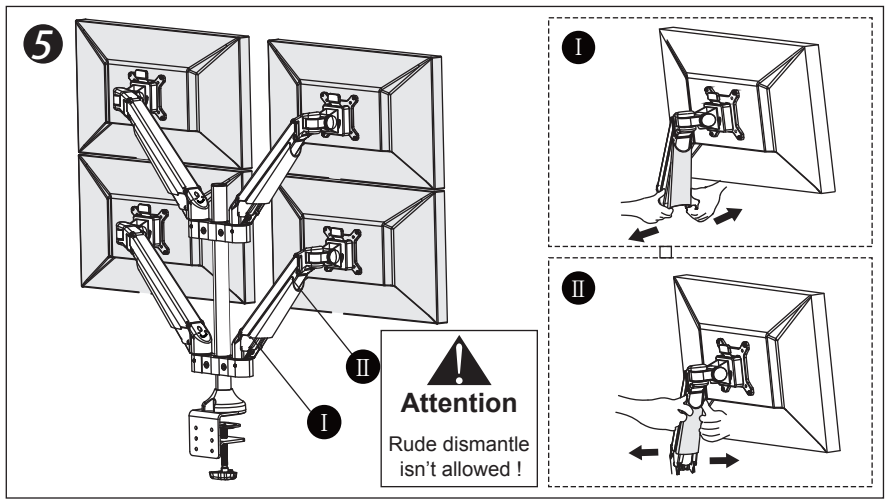
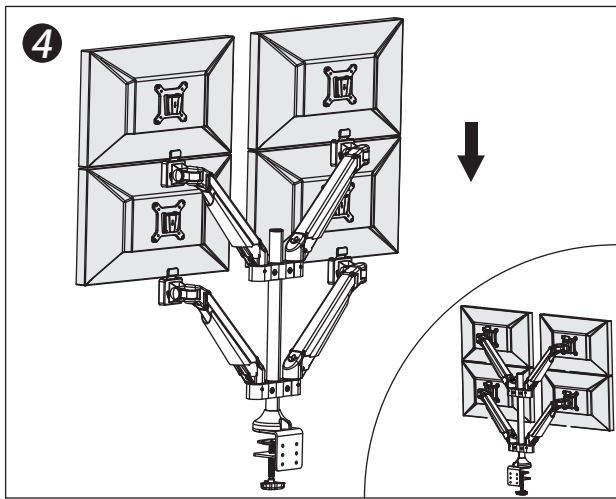


Installation – Thru-desk



Install Procedure





Module List			
No.	Sketch	Specs	Quantity
A			1
B			2
C			4
D			4

Part List			
No.	Sketch	Specs	Quantity
a		M12x90	1
b		M8x60	1
c			1
d			1
e		M4x12	8
f		M3	1
g		M4	1
h		M6	1
i		M5	1