

LCD Monitor Arm // Installation Manual

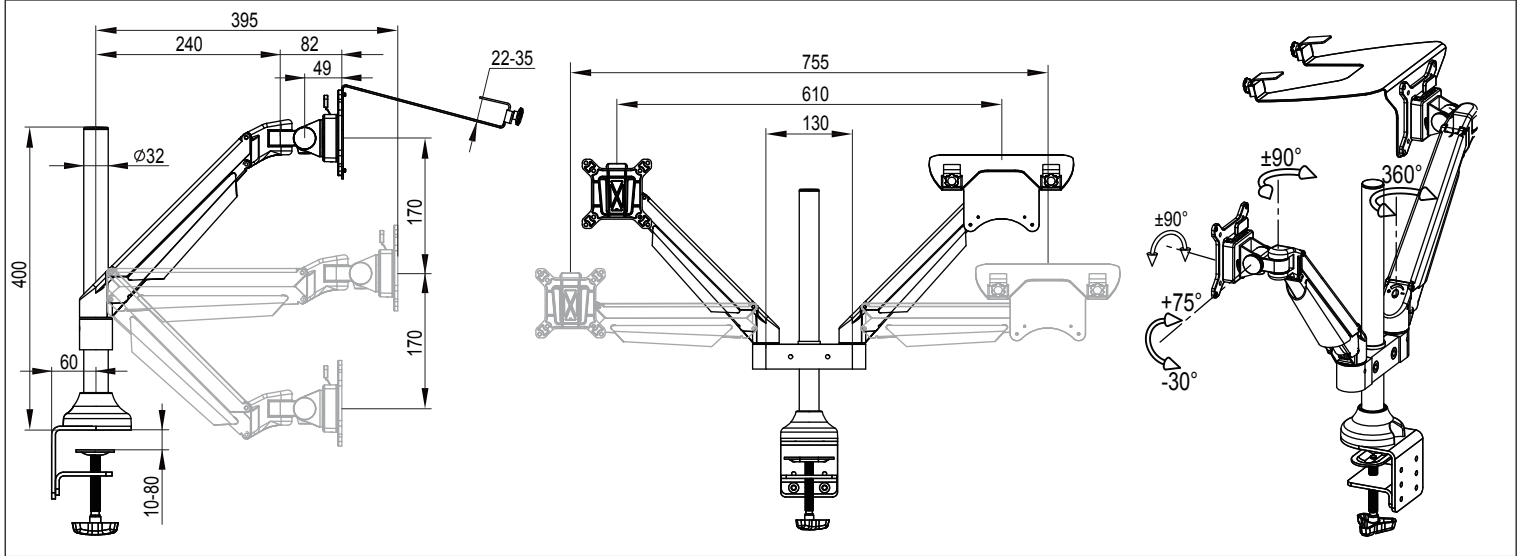
Product name: Full motion pole monitor & laptop gas arm

Model no. BS201

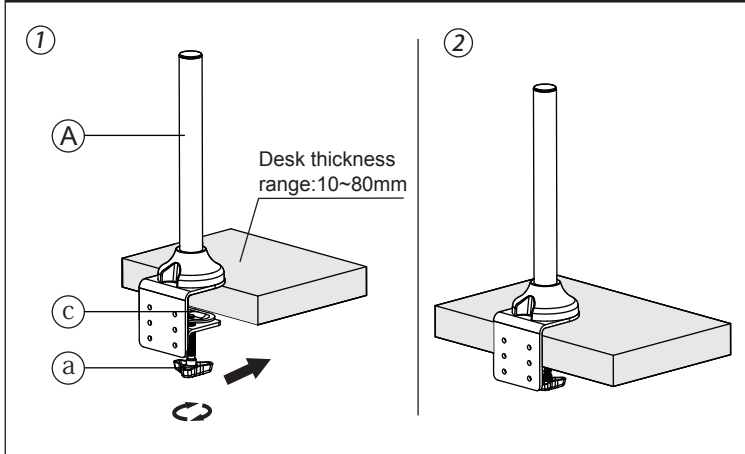
Product Specification

Sketch											Desk thick-ness(mm)	
Item	Monitor size	Weight range (kg)	Lift(mm)	Tilt	Swivel	Pivot	VESA	Packing size (mm)	N.W(kg)	G.W(kg)	Thru-desk	Desk clamp
Specifica-tion	≤24"	2-10	340	+75°~ -30°	±90°	±90°	75*75	Inner: 540*220*145	Inner: 5.7	Inner: 6.5	30	80
		Outer: 555*235*455										
		Inner/Outside: 3/1						Outer: 17	Outer: 20			
		100*100						Inner: 250*250*130	Inner: 0.9	Inner: 1.1		
								Outer: 265*265*410	Outer: 2.7	Outer: 3.6		

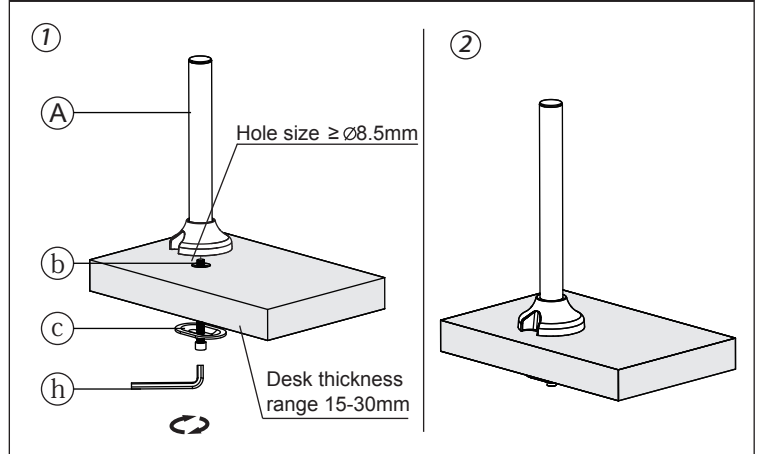
Product Size



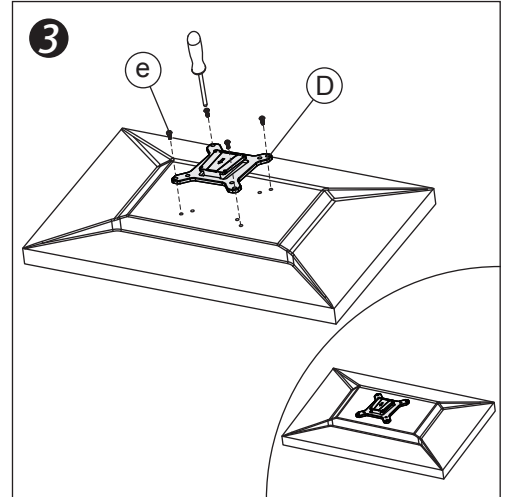
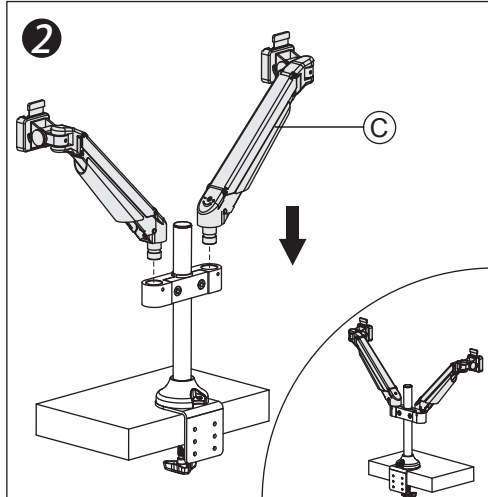
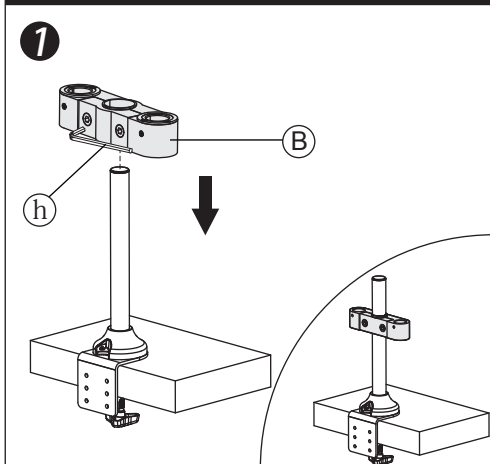
Installation – Desk Clamp

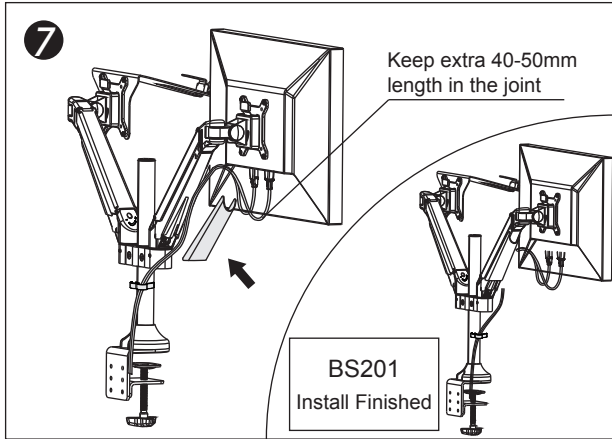
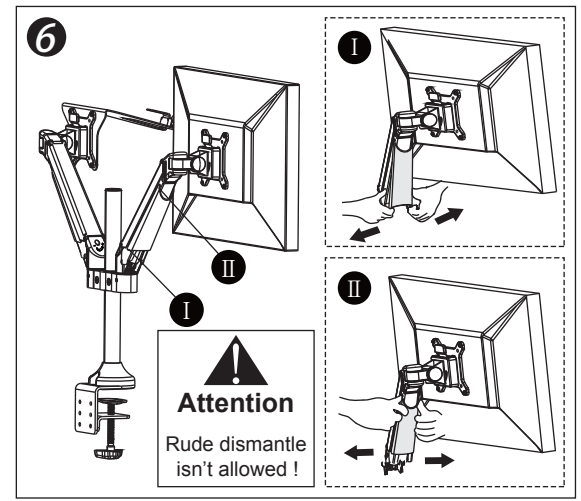
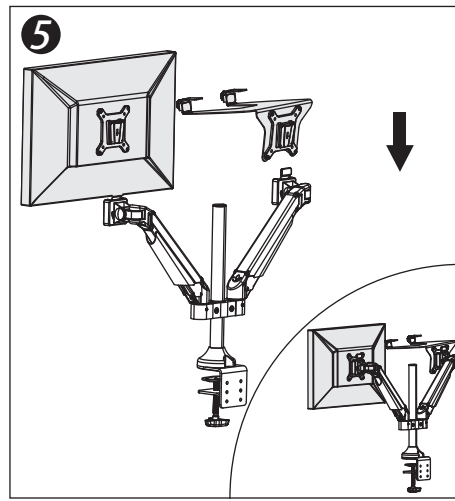
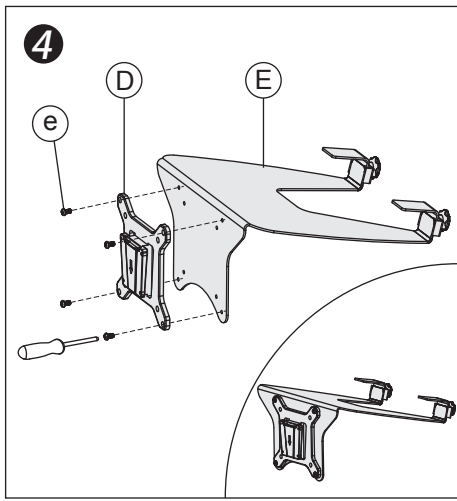


Installation –Thru-desk

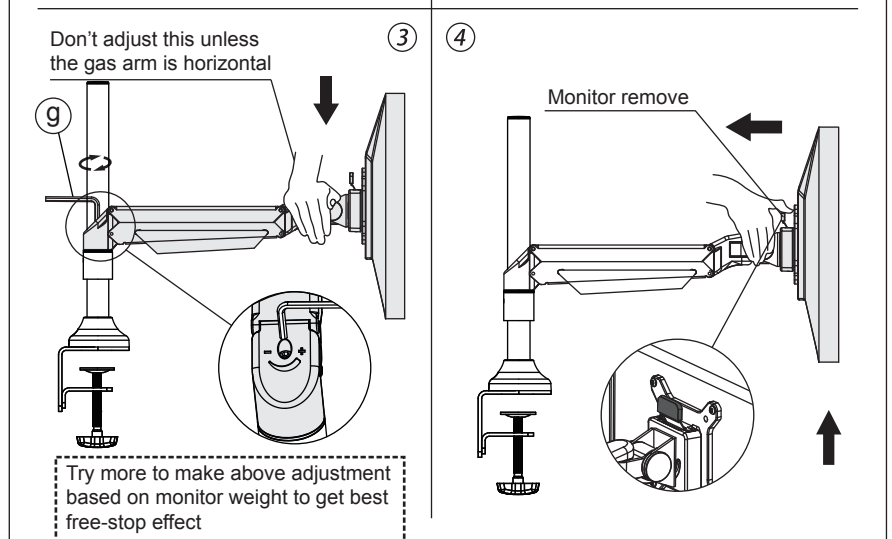
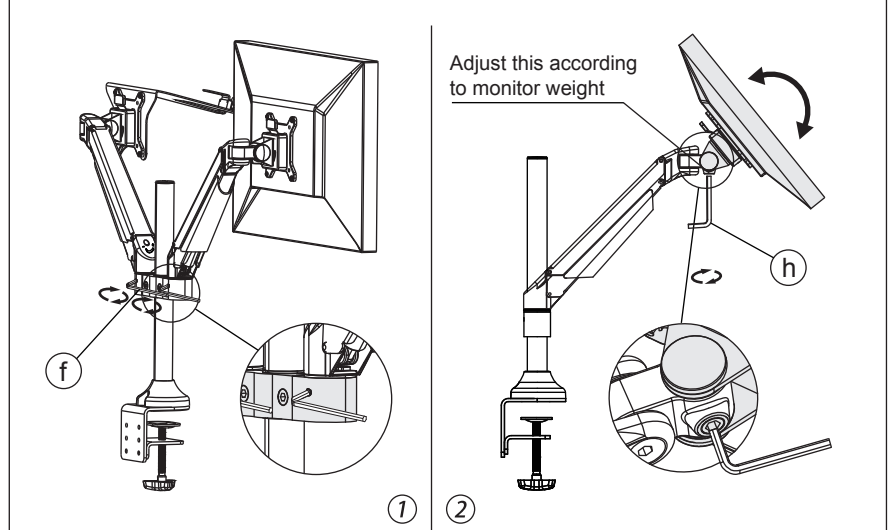


Install Procedure





Adjust Procedure



Module List

No.	Sketch	Specs	Quantity
A			1
B			1
C			2
D			2
E			1

Part List

No.	Sketch	Specs	Quantity
a		M12x90	1
b		M8x60	1
c			1
d			1
e		M4x12	8
f		M3	1
g		M4	1
h		M6	1
i		M5	1

Try more to make above adjustment based on monitor weight to get best free-stop effect