

LCD Monitor Arm // Installation Manual

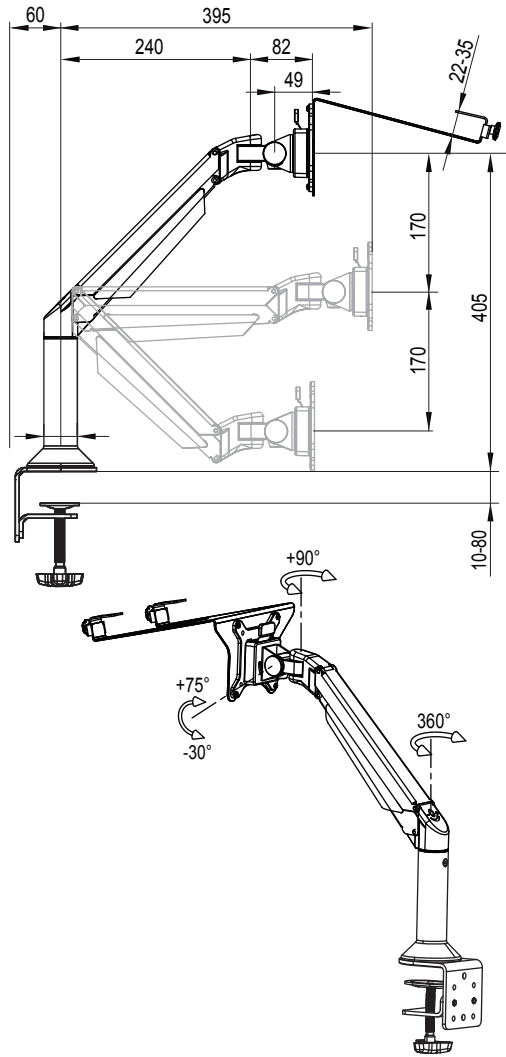
Product name: Full motion desk laptop gas arm

Model no. BS107

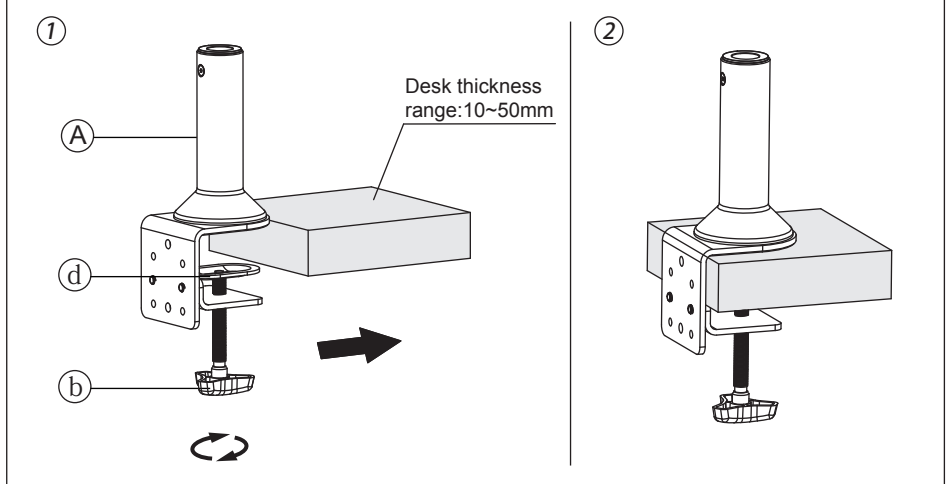
Product Specification

Sketch											Desk thickness(mm)	
Item	Monitor size	Weight range (kg)	Lift(mm)	Tilt	Swivel	Pivot	VESA	Packing size (mm)	N.W(kg)	G.W(kg)	Thru-desk	Desk clamp
Specification	≤30"	2-10	340	+75°~ -30°	±90°	±90°	75*75	Inner: 475*195*140	Inner: 3.5	Inner: 4.1	80	80
		Outer: 490*210*440						Outer: 10.5				
		Inner/Outside: 3/1							Inner: 0.9	Inner: 1.1		
		100*100						Inner: 250*250*130				
Outer: 265*265*410												
Inner/Outside: 3/1												

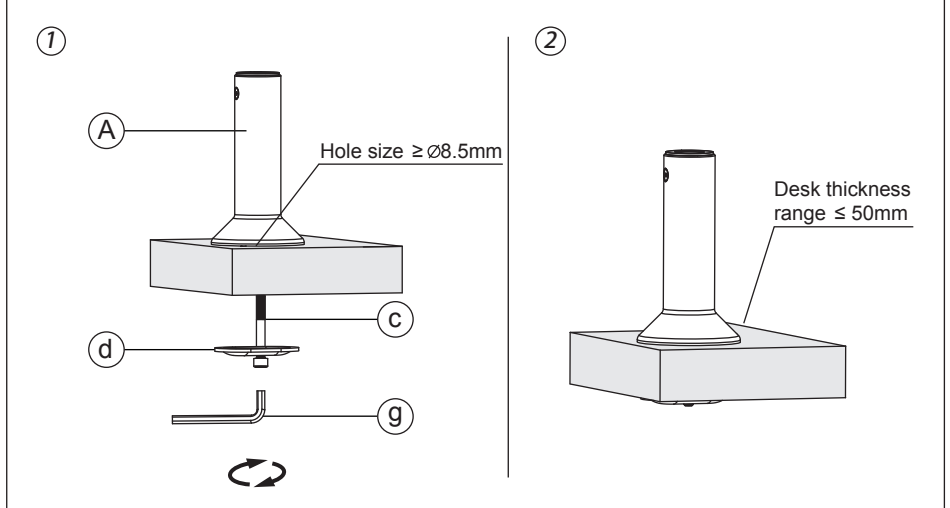
Product Size



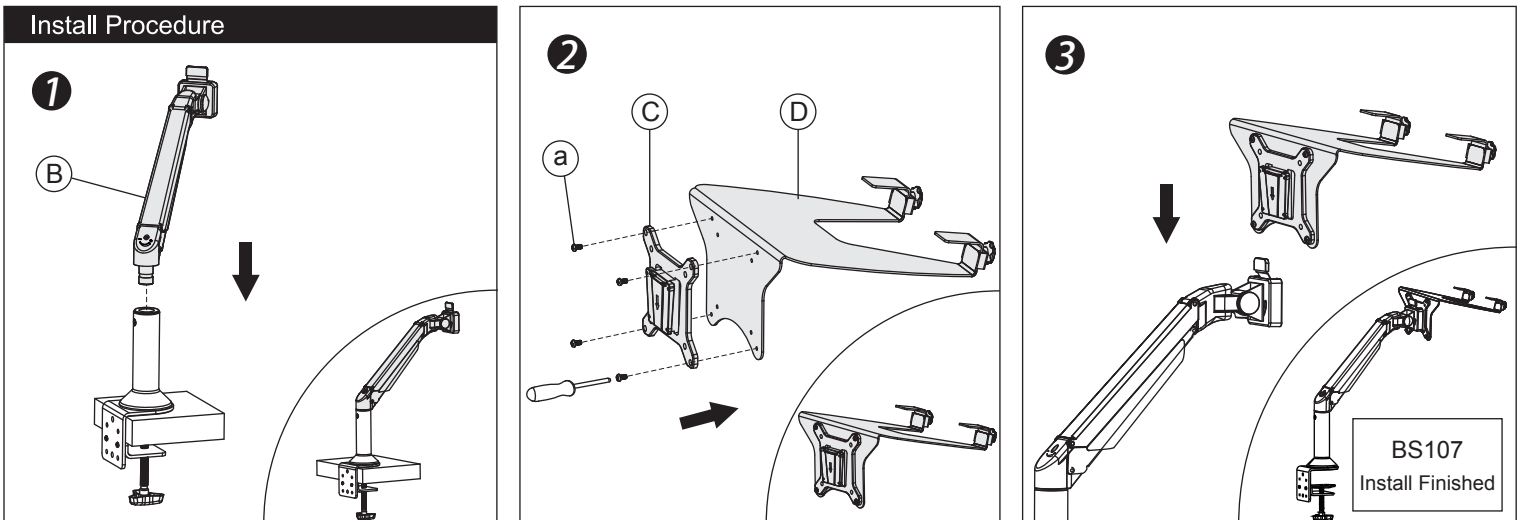
Installation – Desk Clamp



Installation –Thru-desk

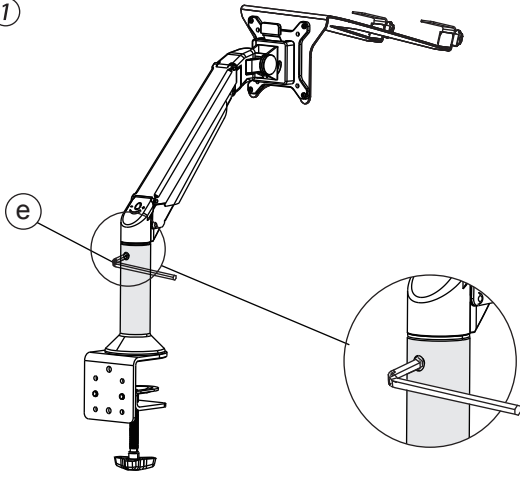


Install Procedure



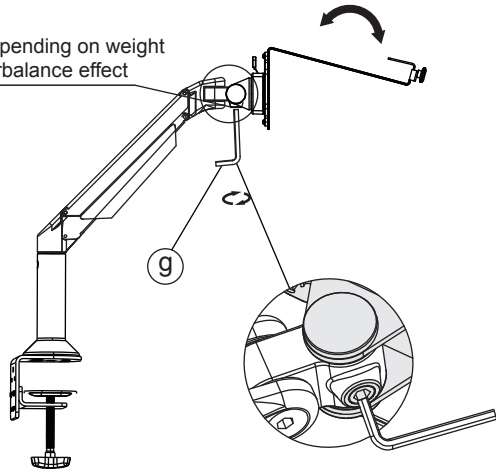
Adjust Procedure

①



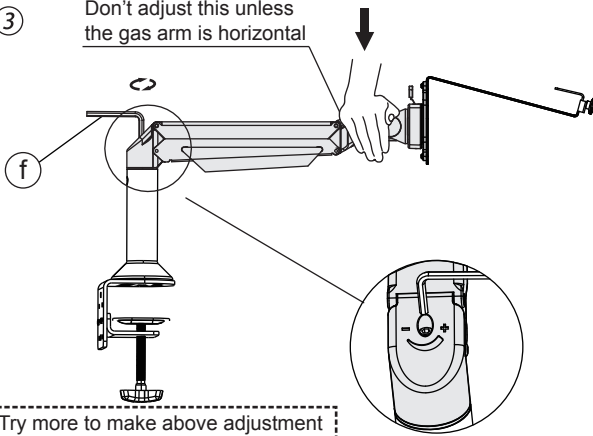
②

Adjust this depending on weight to get counterbalance effect



③

Don't adjust this unless the gas arm is horizontal



Try more to make above adjustment based on laptop weight to get best free-stop effect

Module List

No.	Sketch	Specs	Quantity
A			1
B			1
C			1
D			1

Module List

No.	Sketch	Specs	Quantity
a		M4x12	4
b			1
c		M8x160	1
d			1
e		M3	1
f		M4	1
g		M6	1
h		M5	1