

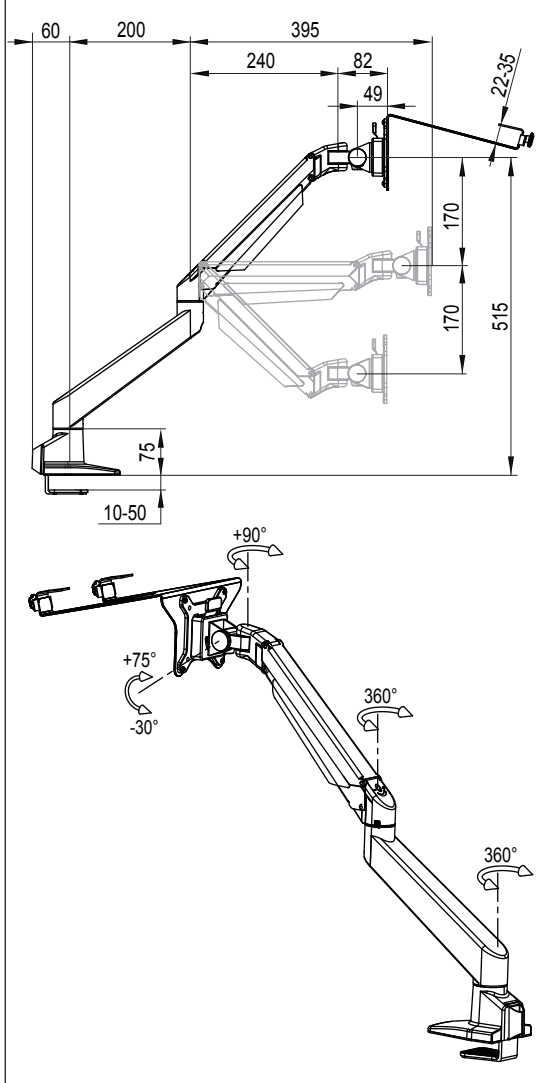
# LCD Monitor Arm // Installation Manual

Product name: Full motion desk laptop gas arm      Model no. BS106

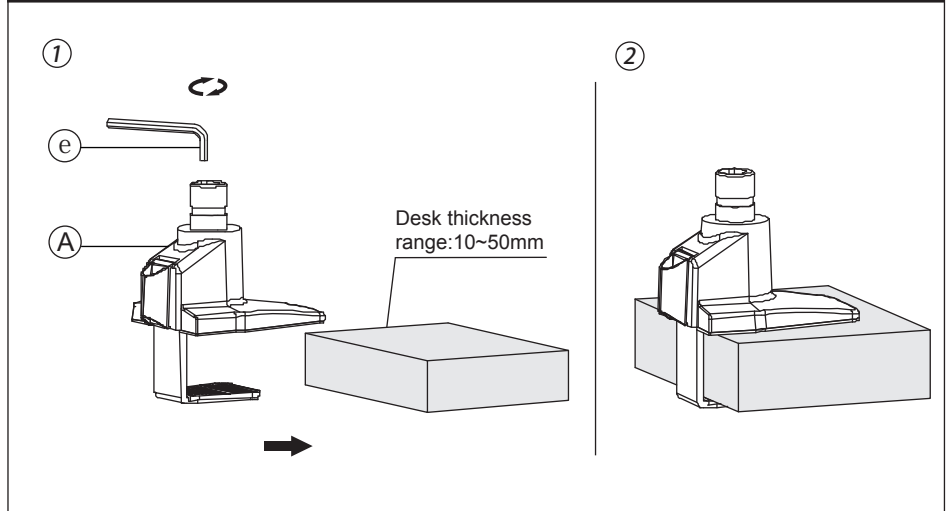
## Product Specification

Sketch											Desk thickness (mm)	
Item	Monitor size	Weight range (kg)	Lift (mm)	Tilt	Swivel	Pivot	VESA	Packing size (mm)	N.W(kg)	G.W(kg)	Thru-desk	Desk clamp
Specification	≤30°	2-10	340	+75°~ -30°	±90°	±90°	75*75	Inner: 475*195*140	Inner: 3.3	Inner: 3.8	50	50
		8-20					100*100	Outer: 490*210*440				

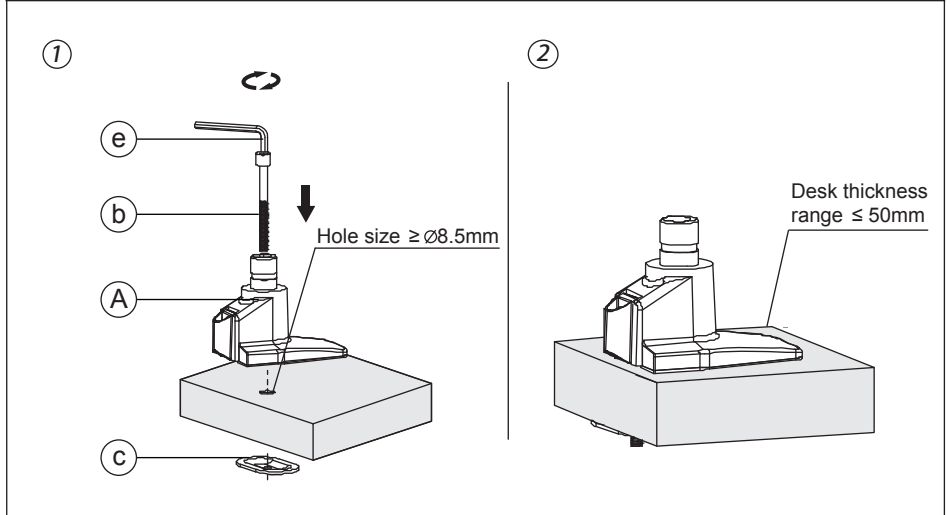
## Product Size



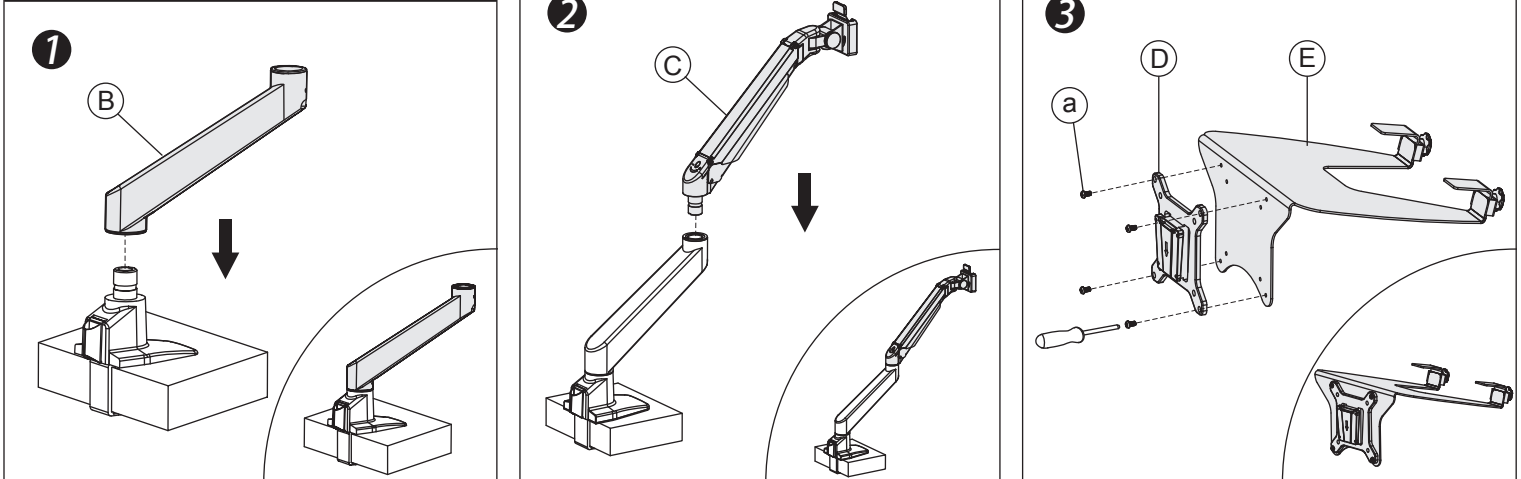
## Installation – Desk Clamp

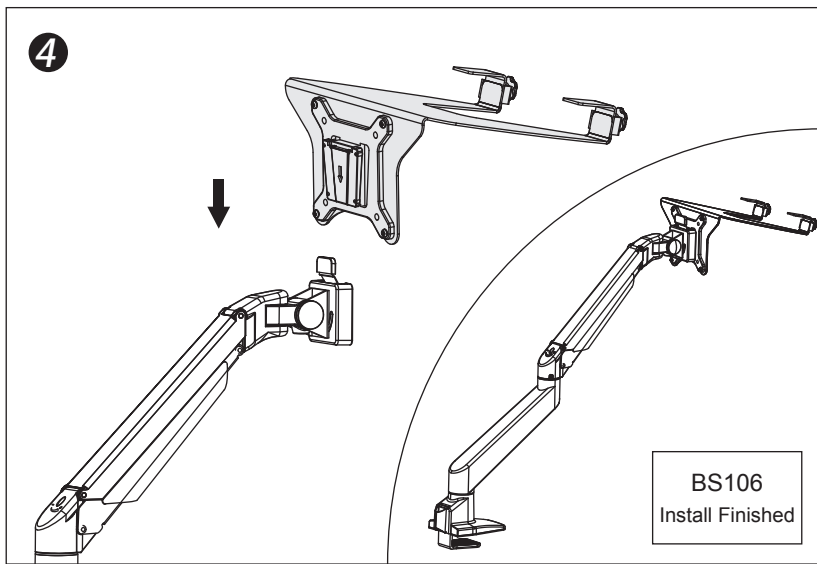


## Installation – Thru-desk



## Install Procedure





Module List			
No.	Sketch	Specs	Quantity
A			1
B			1
C			1
D			1
E			1

Part List			
No.	Sketch	Specs	Quantity
a		M4x12	4
b		M8x160	1
c			1
d		M4	1
e		M6	1

### Adjust Procedure

①

② Adjust this depending on weight to get counterbalance effect

③ Don't adjust this unless the gas arm is horizontal

Try more to make above adjustment based on laptop weight to get best free-stop effect