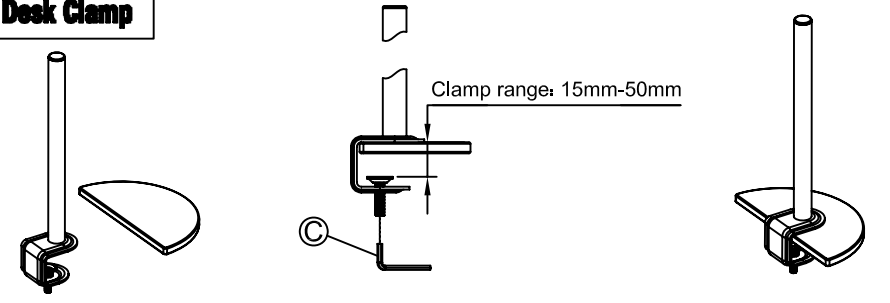
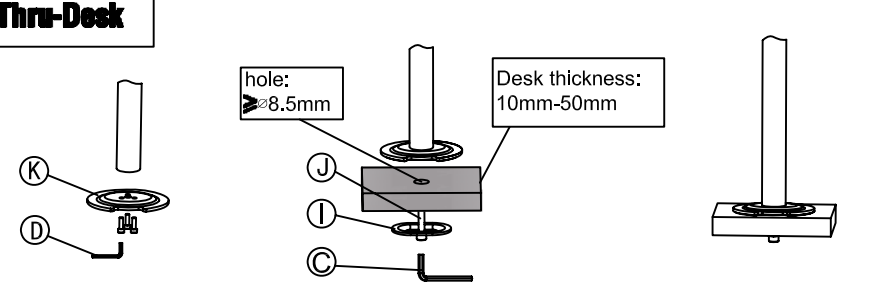
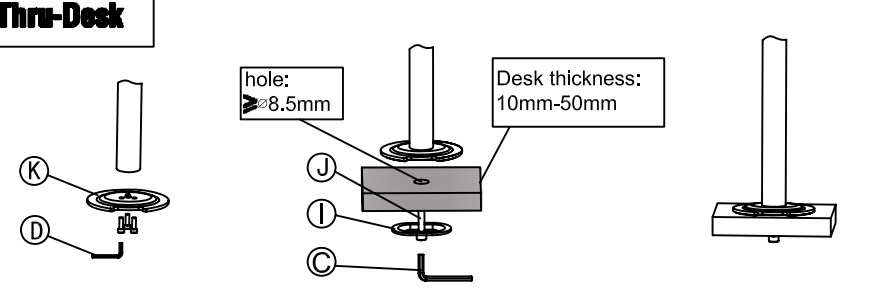
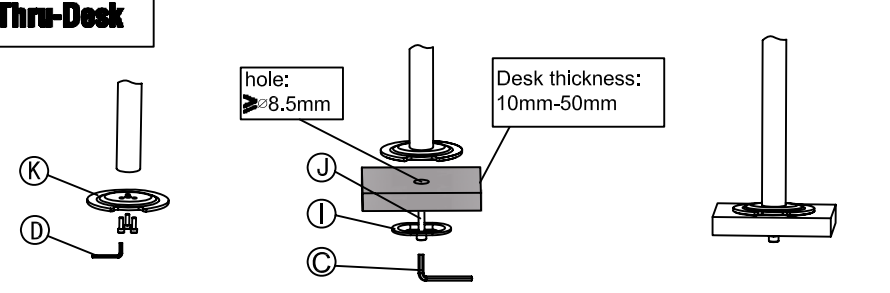
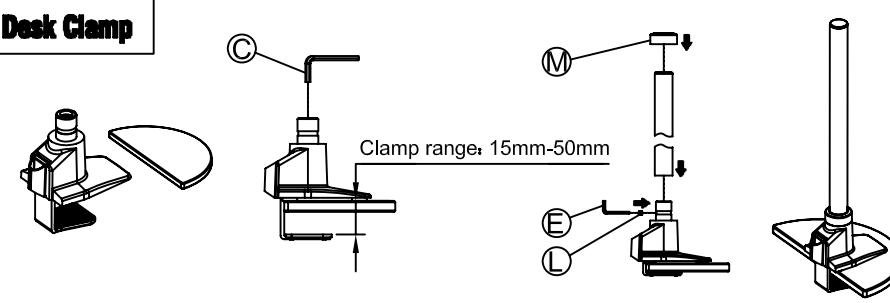
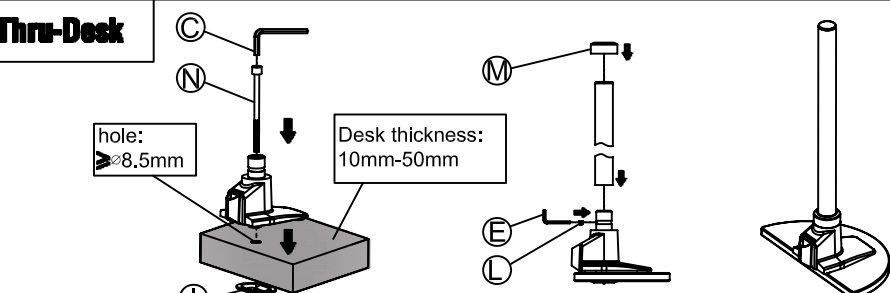
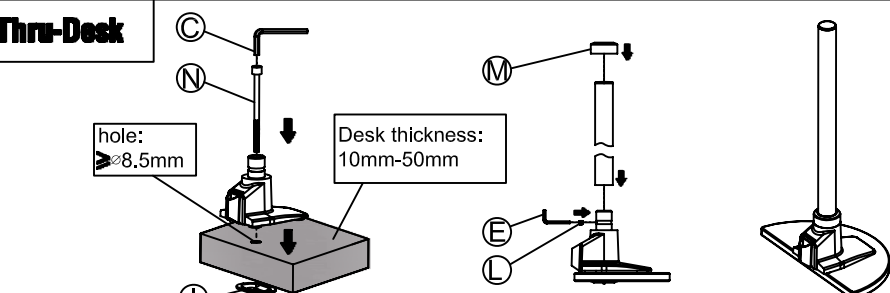
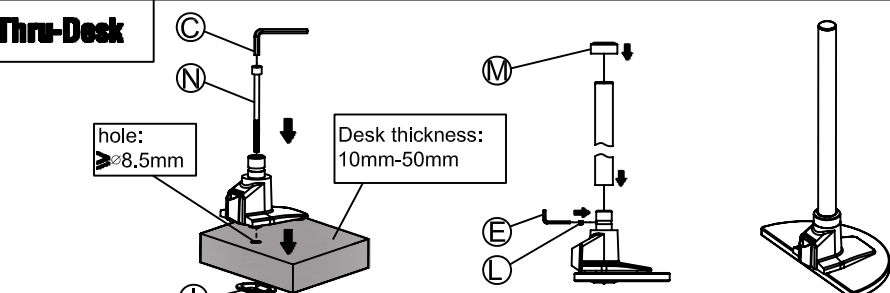
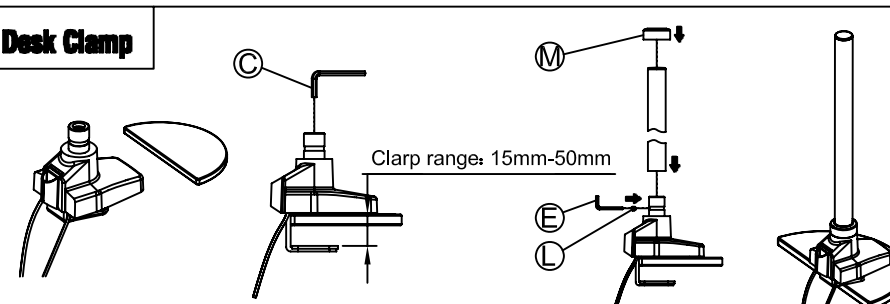
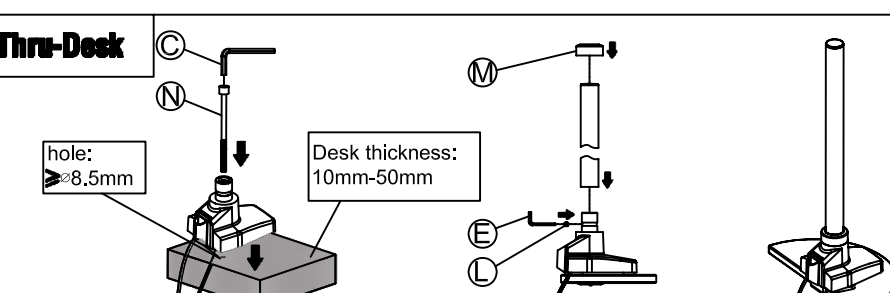
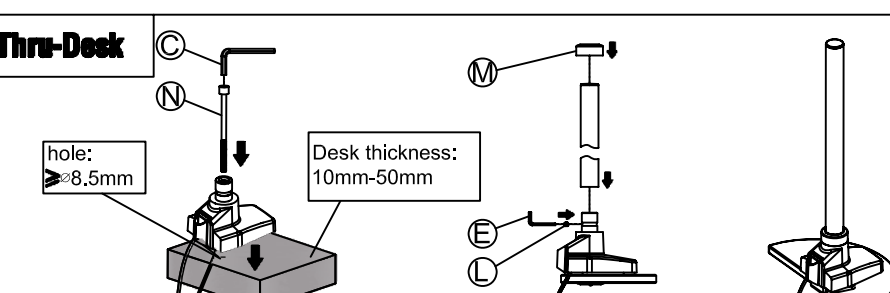
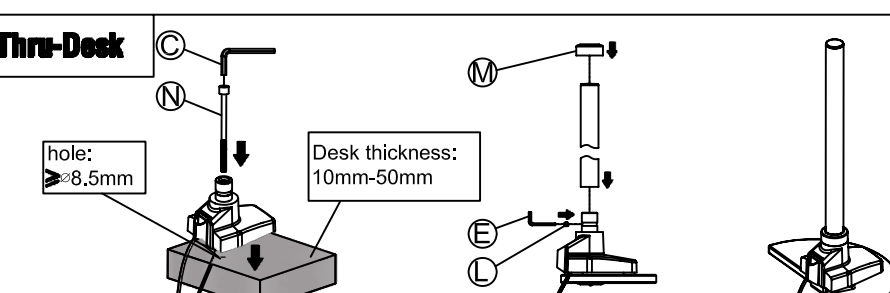


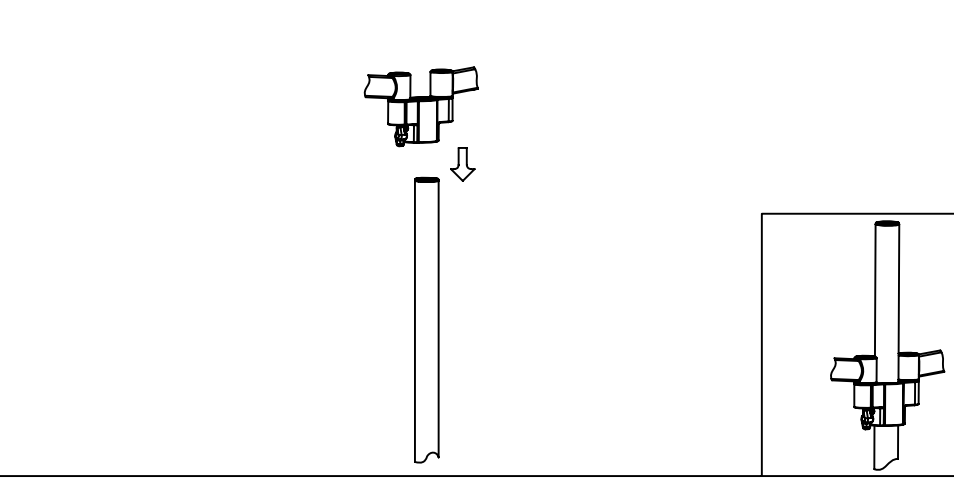
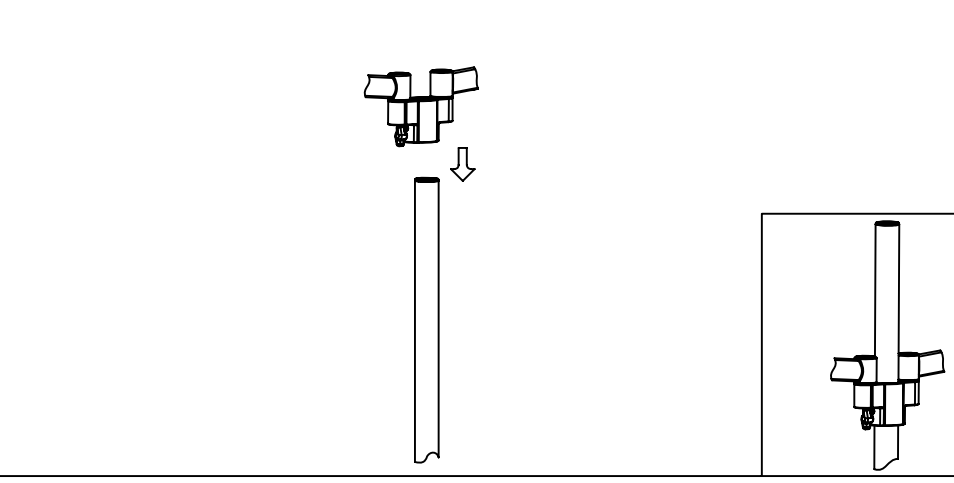
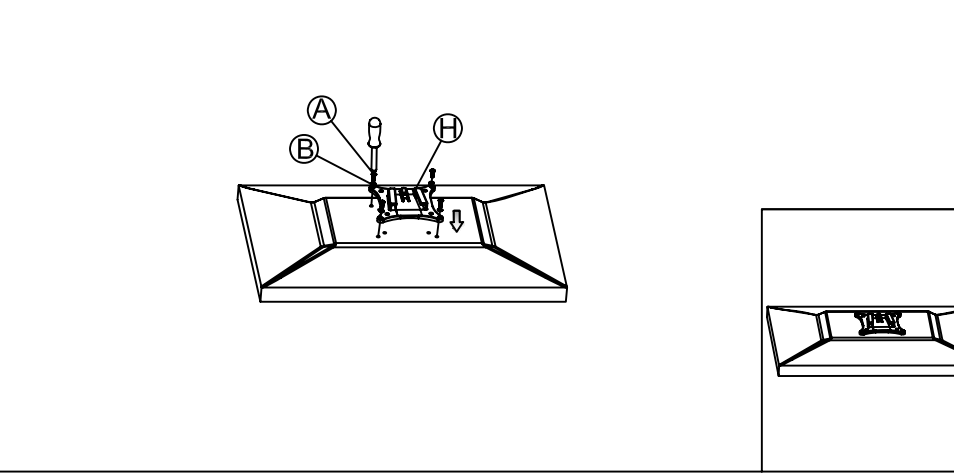
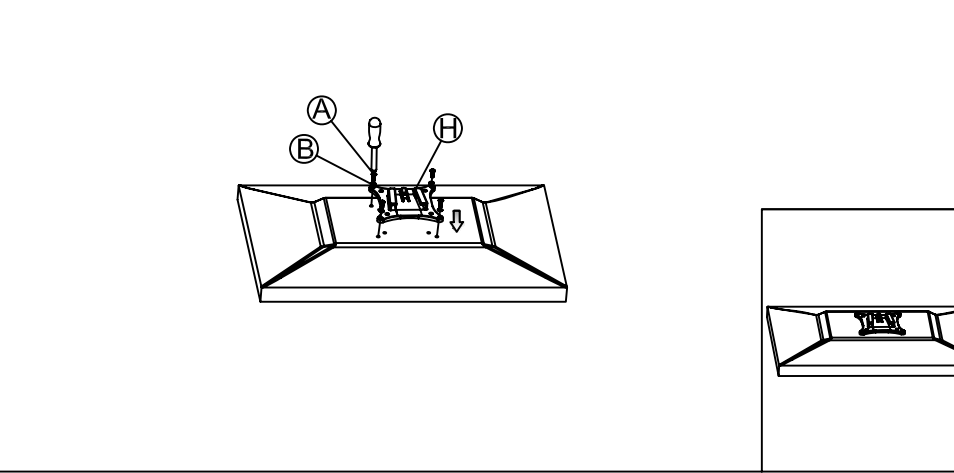
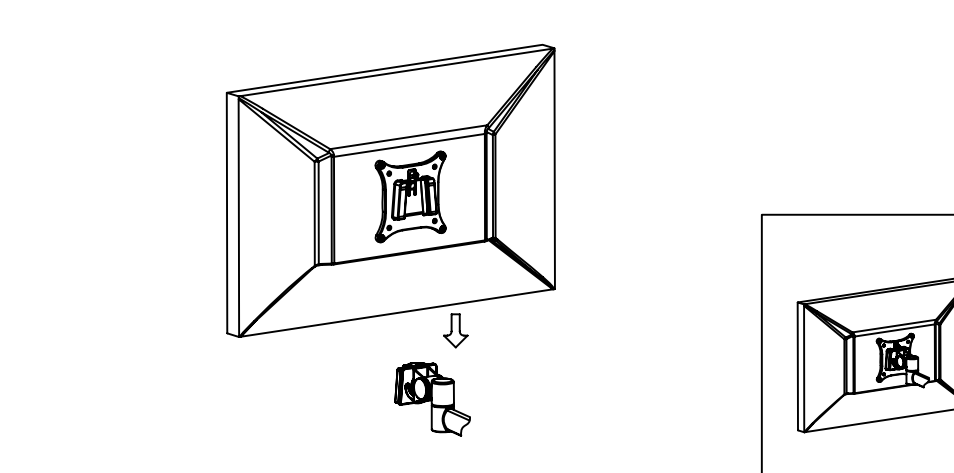
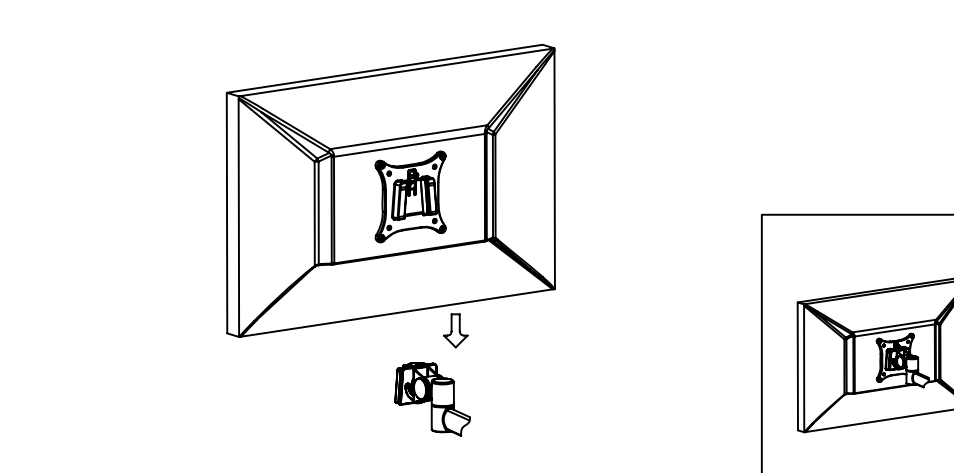
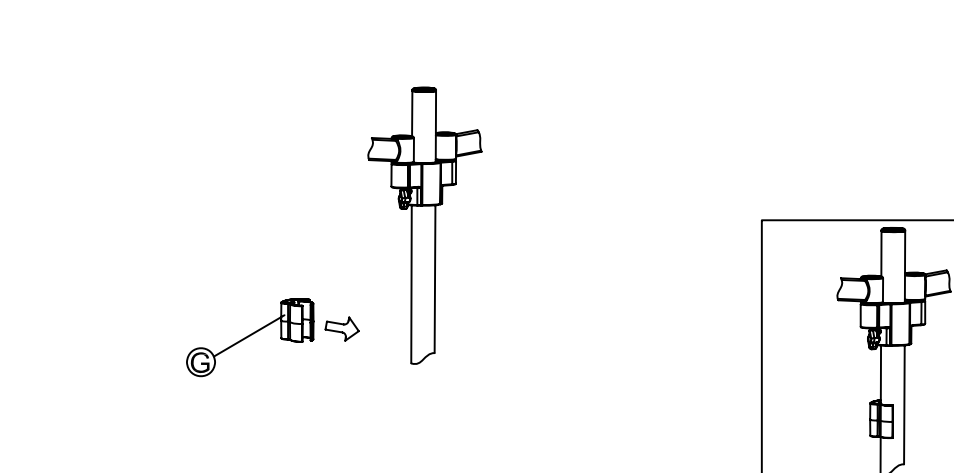
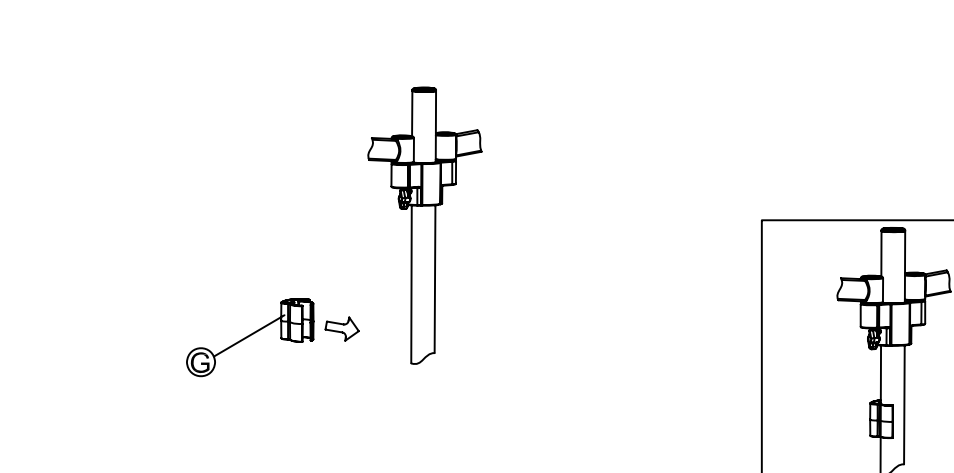
Installation Manual

Clamp Installation

I	Desk Clamp  <p>Clamp range: 15mm-50mm</p>	 <p>hole: $\geq 8.5\text{mm}$ Desk thickness: 10mm-50mm</p>
	Thru-Desk  <p>hole: $\geq 8.5\text{mm}$ Desk thickness: 10mm-50mm</p>	 <p>hole: $\geq 8.5\text{mm}$ Desk thickness: 10mm-50mm</p>
II	Desk Clamp  <p>Clamp range: 15mm-50mm</p>	 <p>hole: $\geq 8.5\text{mm}$ Desk thickness: 10mm-50mm</p>
	Thru-Desk  <p>hole: $\geq 8.5\text{mm}$ Desk thickness: 10mm-50mm</p>	 <p>hole: $\geq 8.5\text{mm}$ Desk thickness: 10mm-50mm</p>
III	Desk Clamp  <p>Clamp range: 15mm-50mm</p>	 <p>hole: $\geq 8.5\text{mm}$ Desk thickness: 10mm-50mm</p>
	Thru-Desk  <p>hole: $\geq 8.5\text{mm}$ Desk thickness: 10mm-50mm</p>	 <p>hole: $\geq 8.5\text{mm}$ Desk thickness: 10mm-50mm</p>

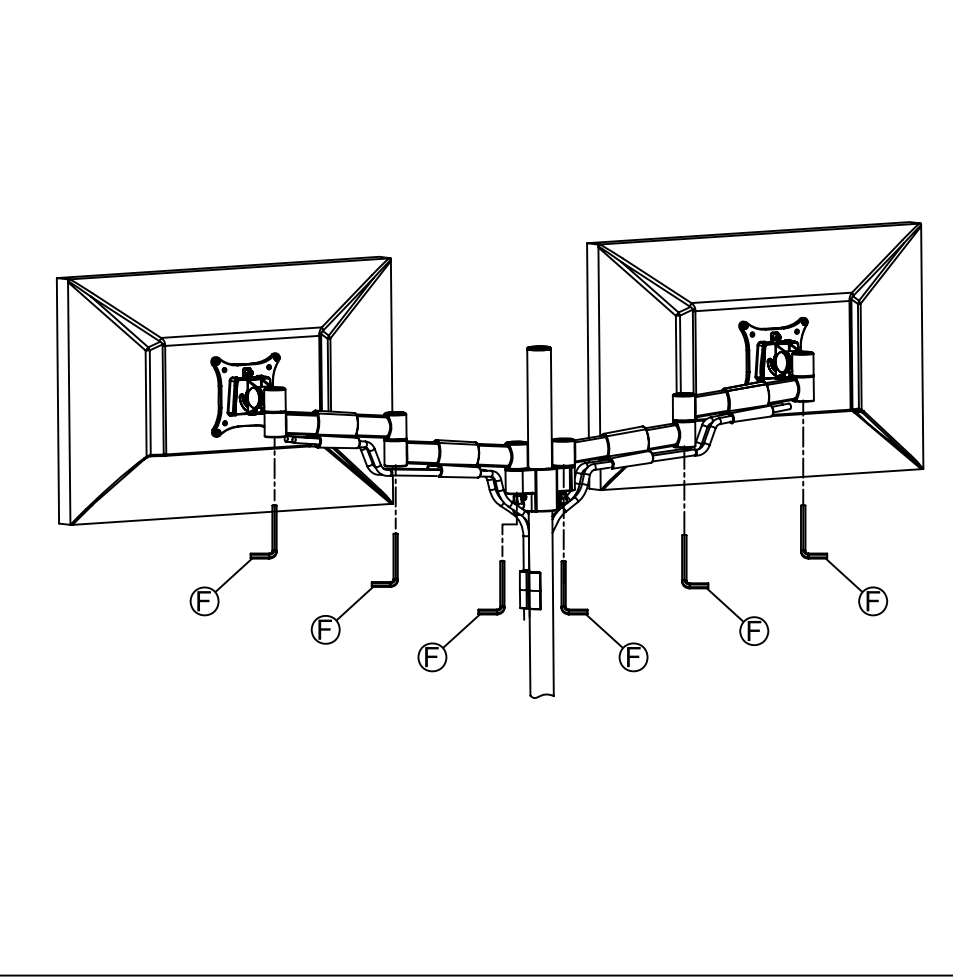
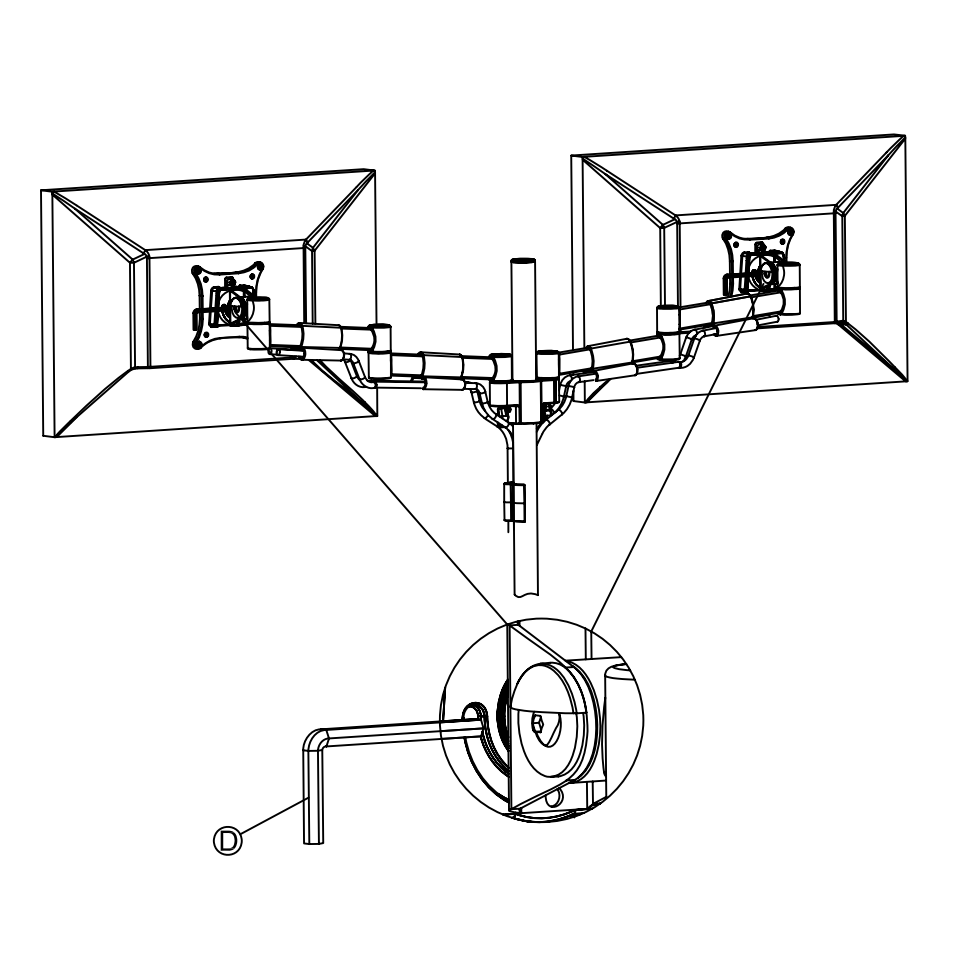
Installation Manual

Arm Installation

 <p>↓</p>	 <p>↓</p>
 <p>↓</p>	 <p>↓</p>
 <p>↓</p>	 <p>↓</p>
 <p>↓</p>	 <p>↓</p>

Installation Manual

Arm Adjustment

 <p>F F F F F F</p>
 <p>F F F F F F</p>