

Product name: Single Free Standing Monitor bracket

Model No. : BL100

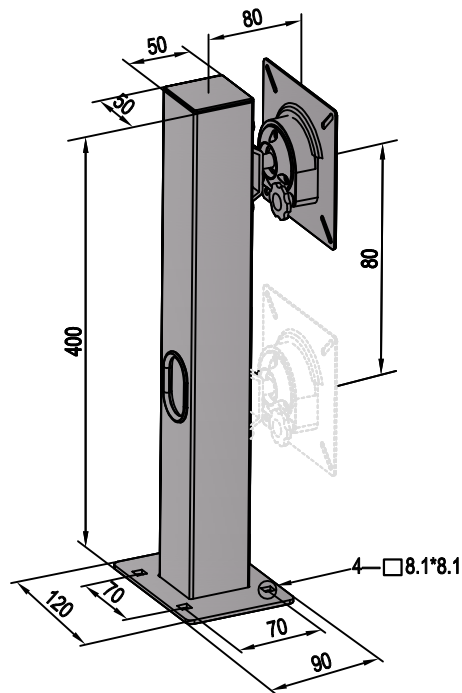


Product Features

Made of sheet metal with space painting. Widely used in console, financial, and security system etc.

cable management, keep the workstation clean and beautiful

Product Dimensions



Technical parameter

|          |             |      |      |        |       |                  |              | GW (kg)        |
|----------|-------------|------|------|--------|-------|------------------|--------------|----------------|
| LCD Size | Wt.Capacity | Lift | Tilt | Swivel | Pivot | VESA (mm)        | Packing size | 2.2            |
| <24"     | 13          | 80   | ±25° | ±25°   | 360°  | 75*75<br>100*100 | 500*160*140  | NW (kg)<br>1.9 |

Multi functional adjustment figure

