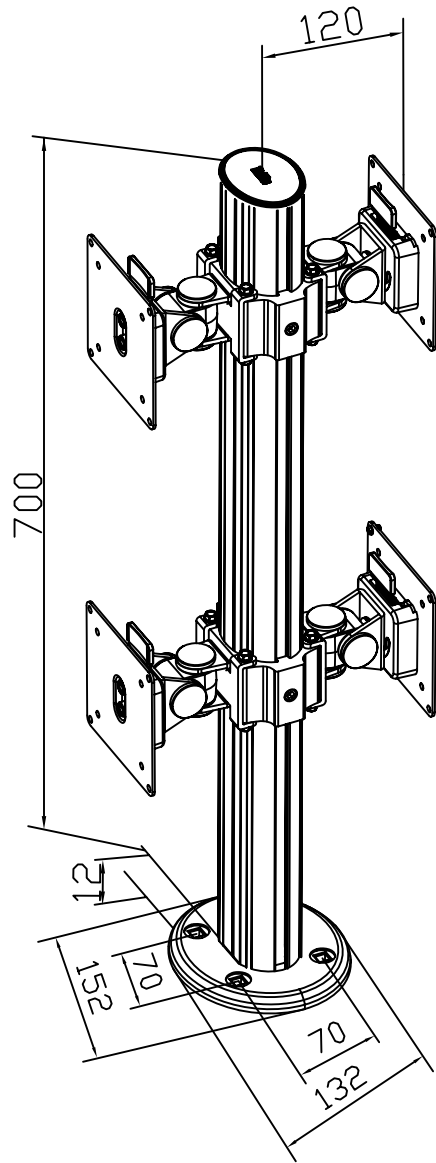


Product name: Quad Lcd monitor arm

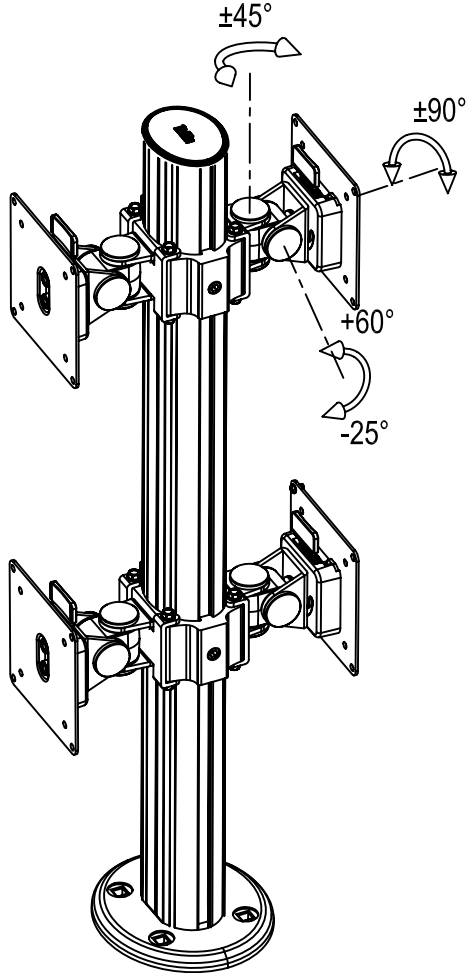
Model No.: L402



Product Features	Technical parameter										
<ul style="list-style-type: none"> • Made by AL380 with the anodizing appearance. Mainly used in the controlling, finance, and monitoring systems. • With the internal cable management, making the desk more concise and artistic. 											Grommet mount
	LCD Size	Wt.Capacity(kg)	Lift(mm)	Tilt	Swivel	Pivot	VESA	Packing size(mm)	NW (kg)	GW(kg)	Desk thickness (mm)
	≤30"		700	+60°~ -25°	±45°	±90°	75*75 100*100				40



Product Dimensions



Multifunctional adjustment figure