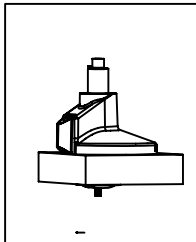
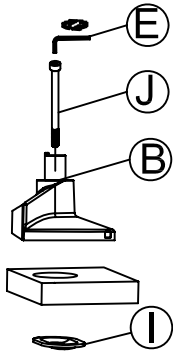
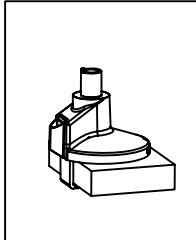
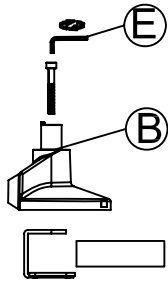
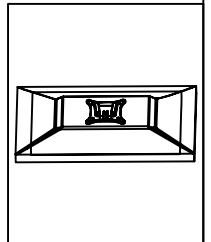
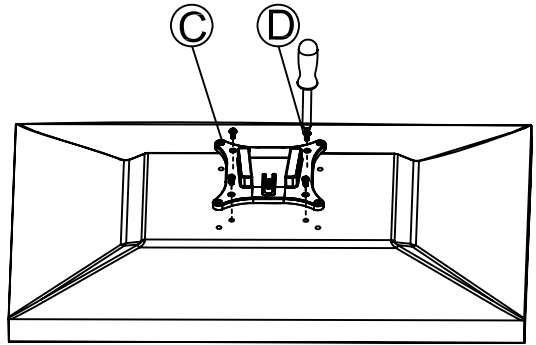


Model No.: K102

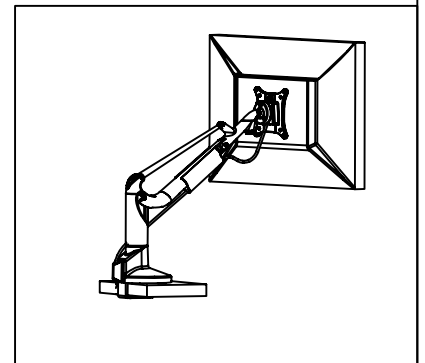
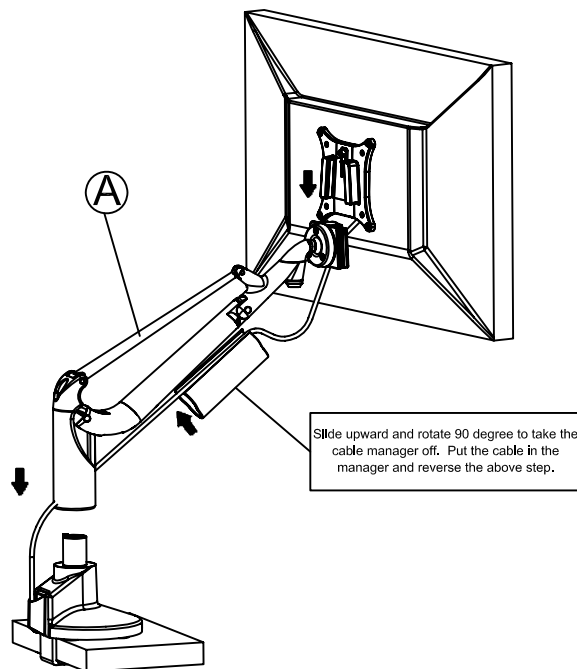
### Base assembly



### Monitor assembly



### Arm assembly

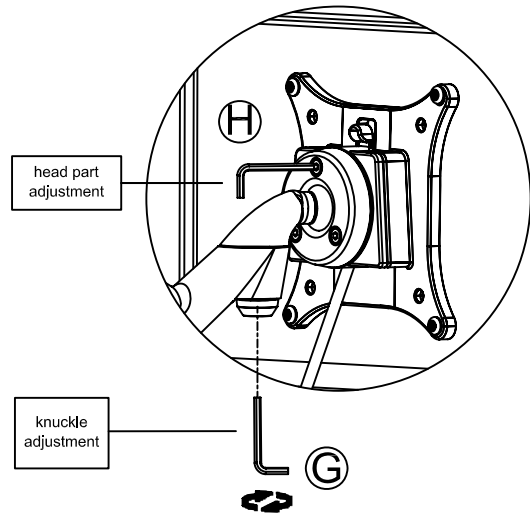
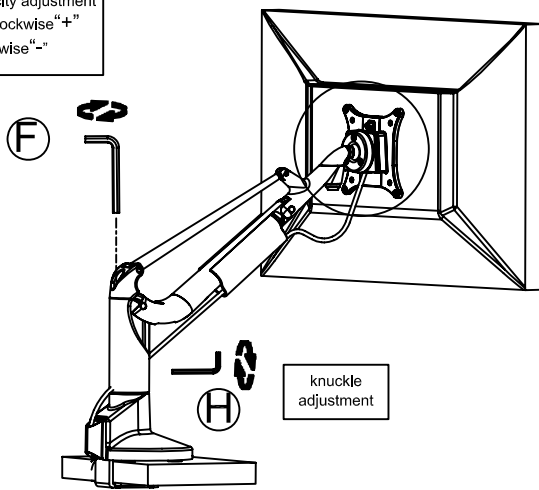


# Product Installation Manual

Model No.: K102

## Adjustment

weight capacity adjustment  
Counter-clockwise "+"  
Clockwise "-"



## Hardware

No.	Picture	Description	Quantity
A			1
B			1
C			1
D		M4*12	4
E		M6	1
F		M5	1
G		M4	1
H		M3	1
I			1
J		M8*160	1