

Product name: Full motion laptop gas arm

Model No.: K100U

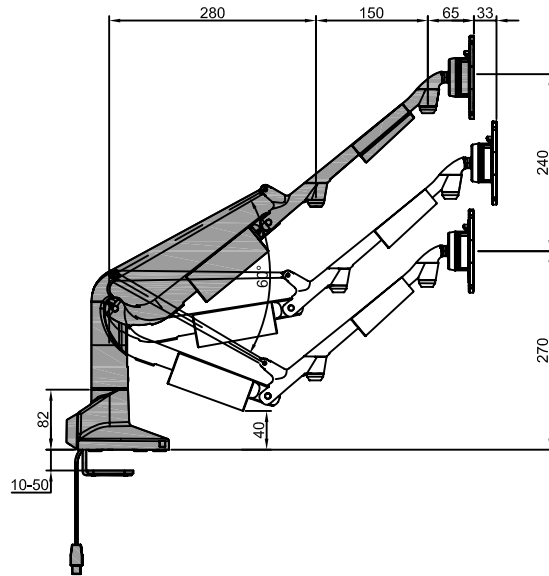


Product Features

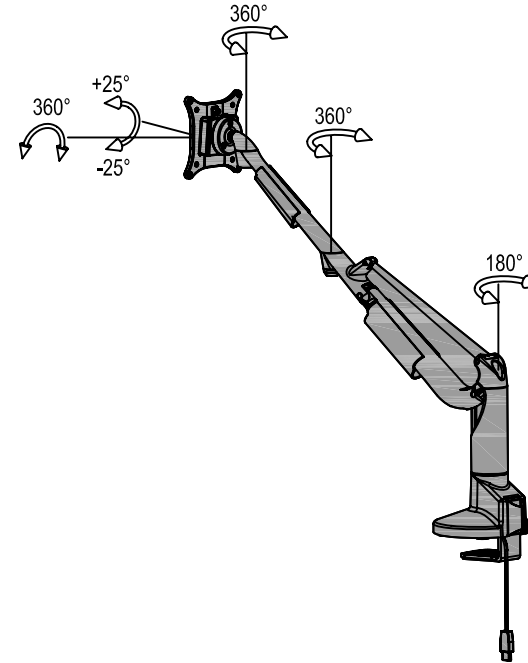
- Easy to adjust the monitor angle and position to satisfy the different view.
- Use the gas cylinder adjust design, make free up&down movement for the monitors.
- Simple installation design makes more flexible in using at the narrow place.

Technical parameter

											Desk thickness application (mm)	
	LCD Size	Wt.Capacity(kg)	Lift(mm)	Tilt	Swivel	Pivot	VESA	Packing size(mm)	NW(kg)	GW(kg)	Thru desk	Desk clamp
≤30"	1.5-7.5	240	+25°~-25°	±180°	360°	75*75	Inner: 490*310*160	Inner: 3.2	Inner: 4.0	60	50	
							Outer: 510*330*510					Outer: 9.6
							100*100	Inner/Outer: 3/1				



Product Dimensions



Multifunctional adjustment figure