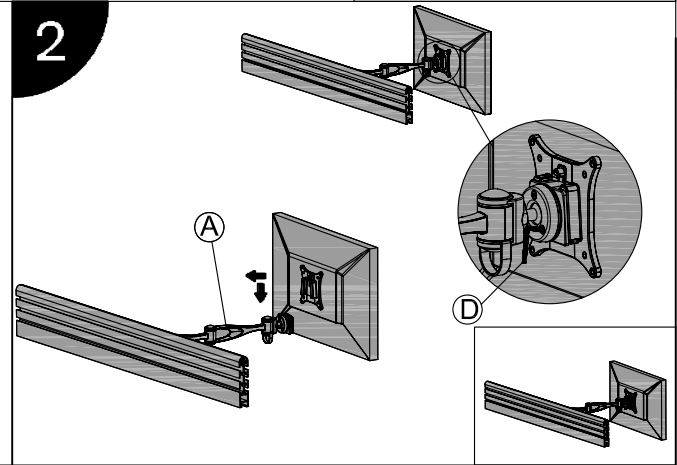
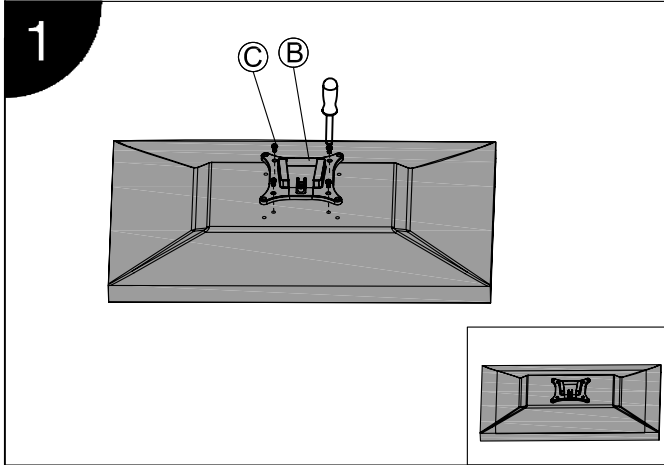
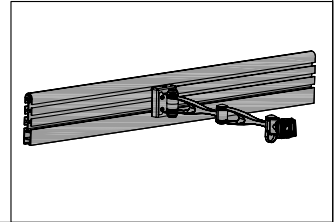
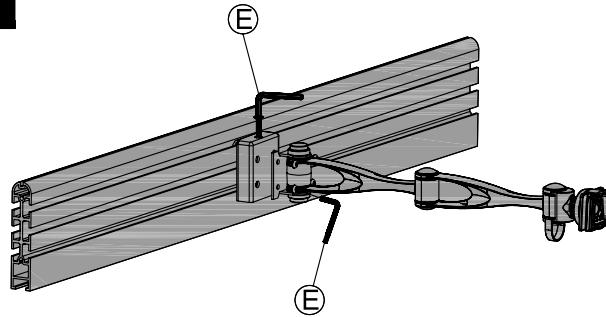


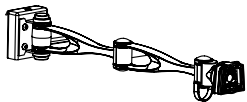




## Installation Manual

**Model No: D102**

### Table screen Installation



### Parts list

| No. | ITEM                                                                                | SPECS | QUANTITY |
|-----|-------------------------------------------------------------------------------------|-------|----------|
| A   |  |       | 1        |
| B   |  |       | 1        |
| C   |  | M4*12 | 4        |
| D   |  | M3    | 1        |
| E   |  | M4    | 1        |