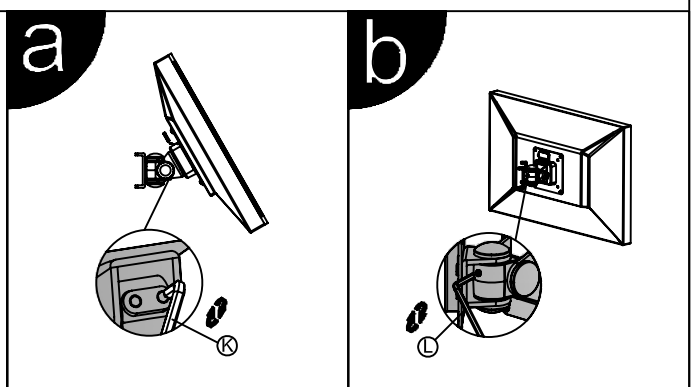
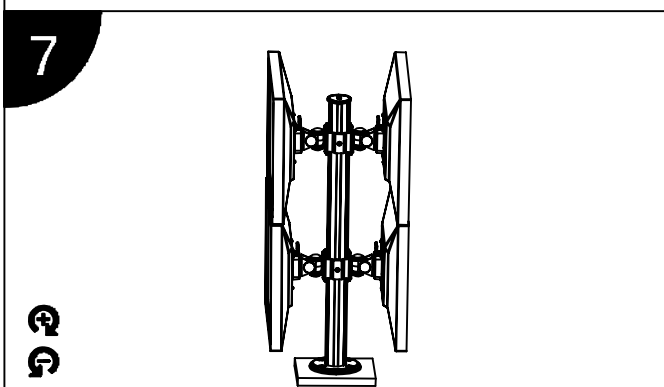
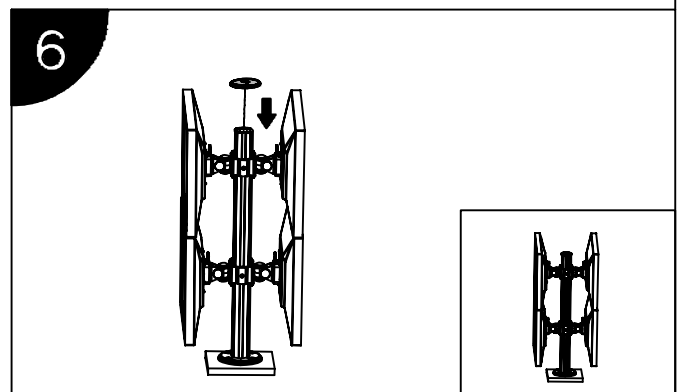
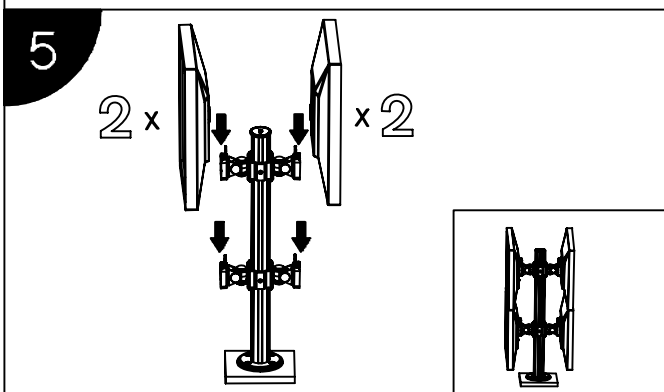
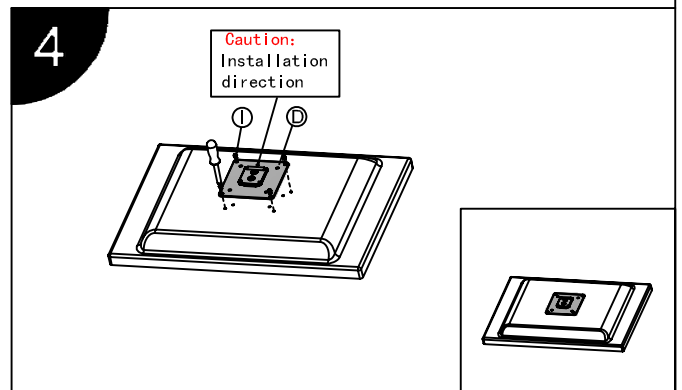
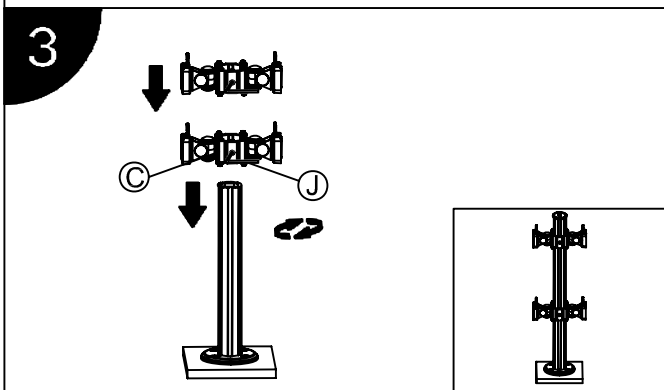
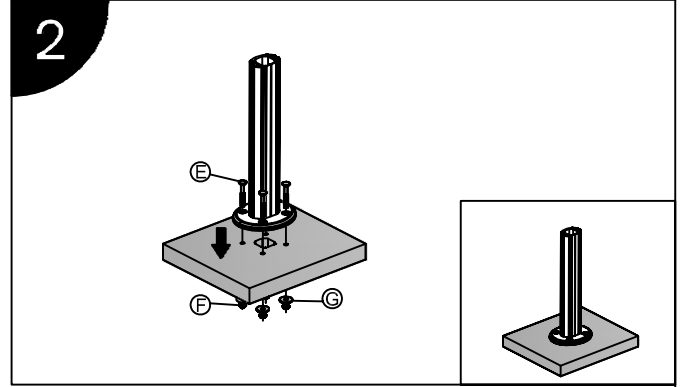
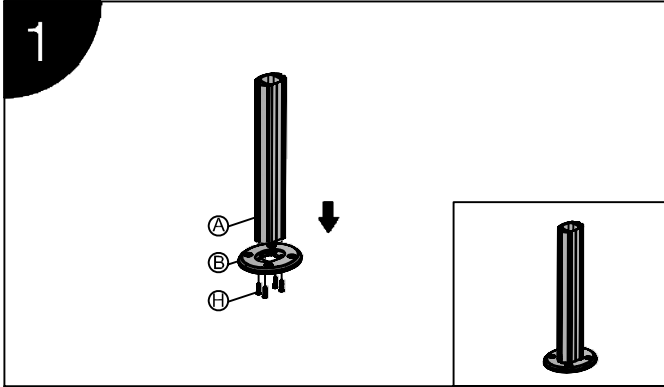


Installation Manual


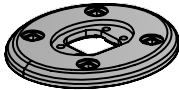










Model No. : L402

Installation Steps



Installation Manual

Model No. : L402

Parts list			
No.	ITEM	SPECS	QUANTITY
A			1
B			1
C			2
D			4
E		M8*60	4
F		M8Cap	4
G		M8Gasket	4
H		ST4.8*25	4
I		M4*12	16
J		M5	1
K		M4	1
L		M3	1