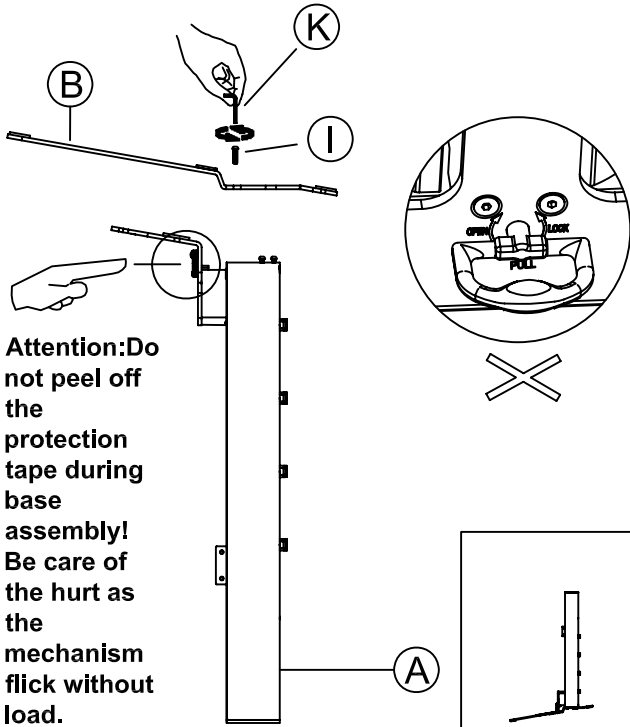


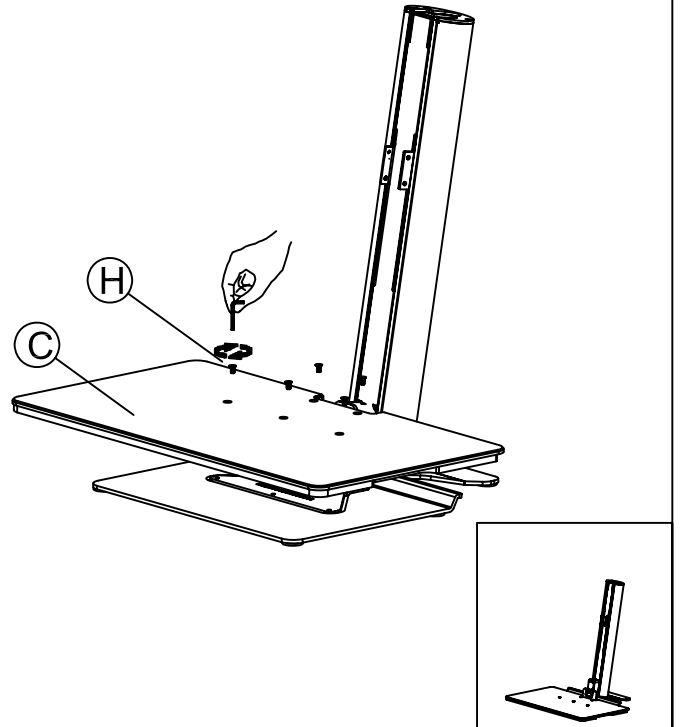
## Installation Manual

Model NO.: H200

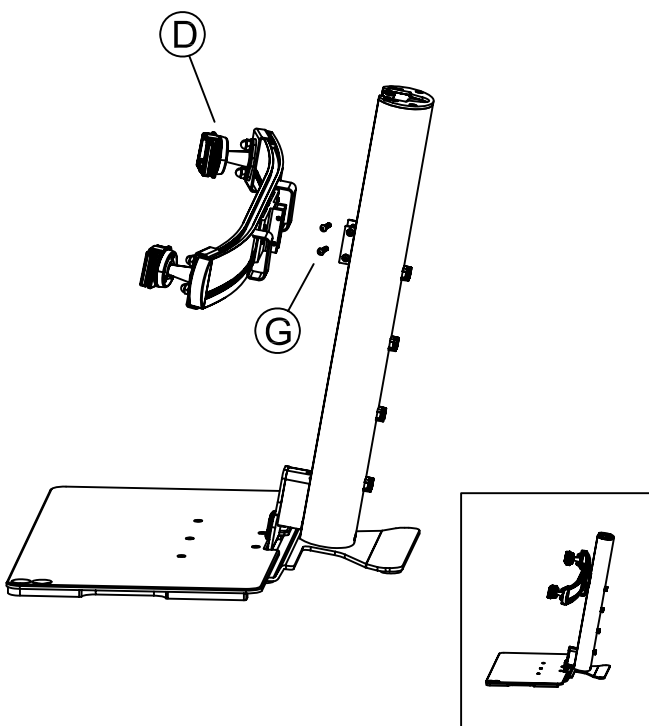
### Base Installation



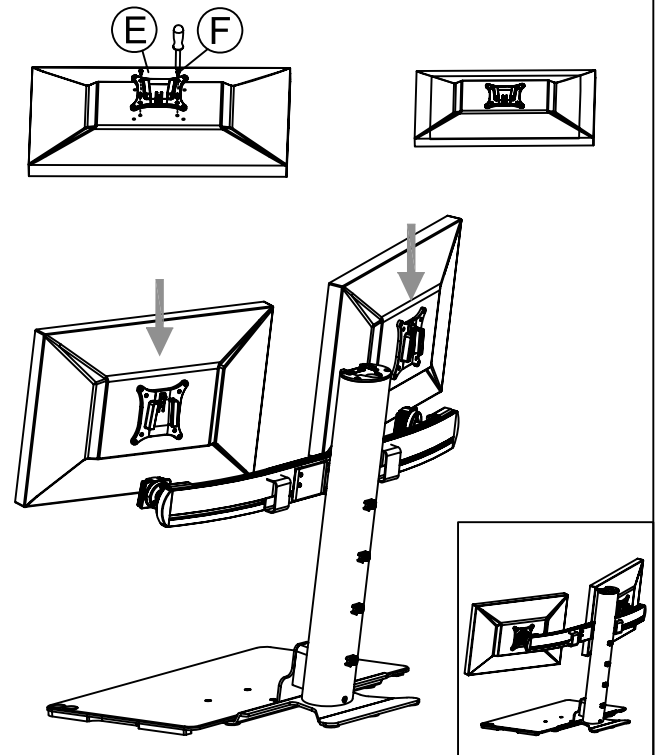
### Keyboard Holder Installation



### Beam Installation



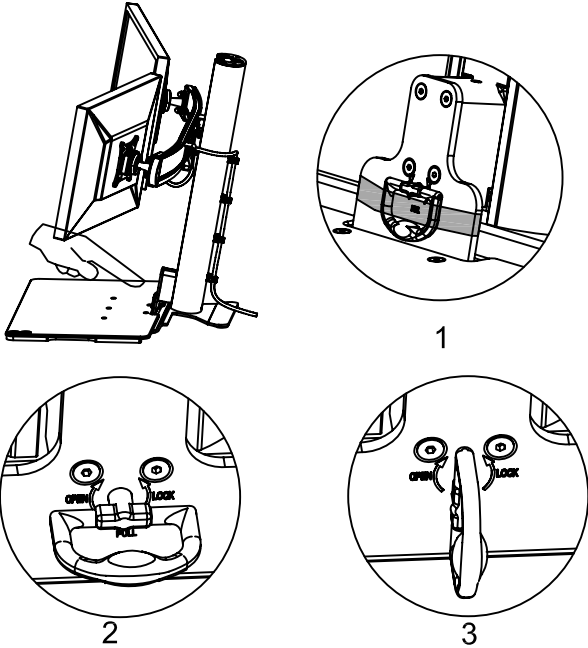
### Monitor Installation



## Installation Manual

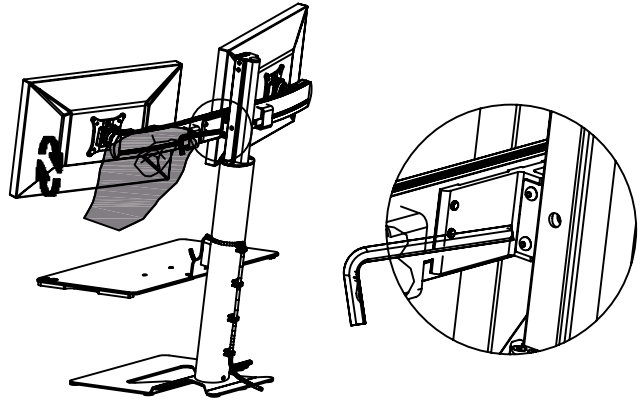
Model NO.: H200

### Height adjustment



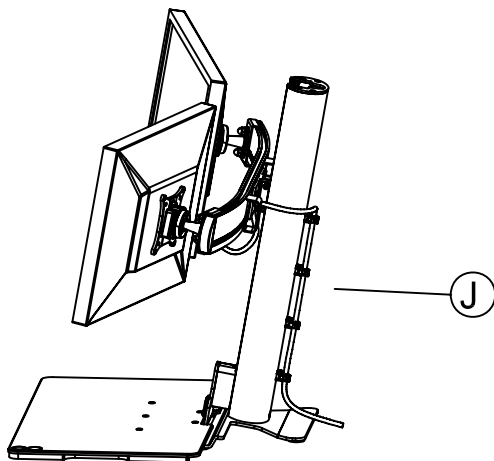
Peel off the protection tape on the handle, pull the handle, and turn 90° in clockwise direction. then freely to adjust up and down. Use reverse operation to lock it.

### Monitor height & resistance adjustment



Monitor is freely to adjust up & down and stay any position  
When monitor can't be hovered, adjust the tension bolt in clockwise direction to add damping.

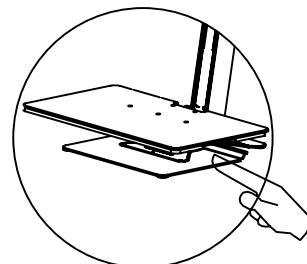
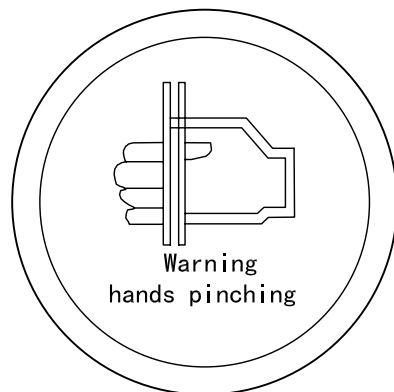
### Wire management



When manage the wires, the tie should be passed through clip to route the wires, adjust the tightness till the last tie is binded. Then adjust the monitor and keyboard holder on the top position, tighten the ties after enough wire length is kept.

### Warning 1

No pinching hand when adjusting height of keyboard holder.



# Installation Manual

Model NO.: H200

## Warning 2

No holding yourself on the keyboard holder.



## Warning 2

Careful in height adjustment, avoid standing backside.



## Hardware

No.	Photo	Name	QTY
A		Post assembly	1
B		Base	1
C		Keyboard holder	1
D		Beam	1
E		VESA plate	1
F		Cross head screws M4*12	8
G		Socket head screws M5*12	4
H		Socket cap screws M5*10	5
I		Socket head screw M5*20	2
J		Cable Ties	4
K		3# Spanner 100mm	1