







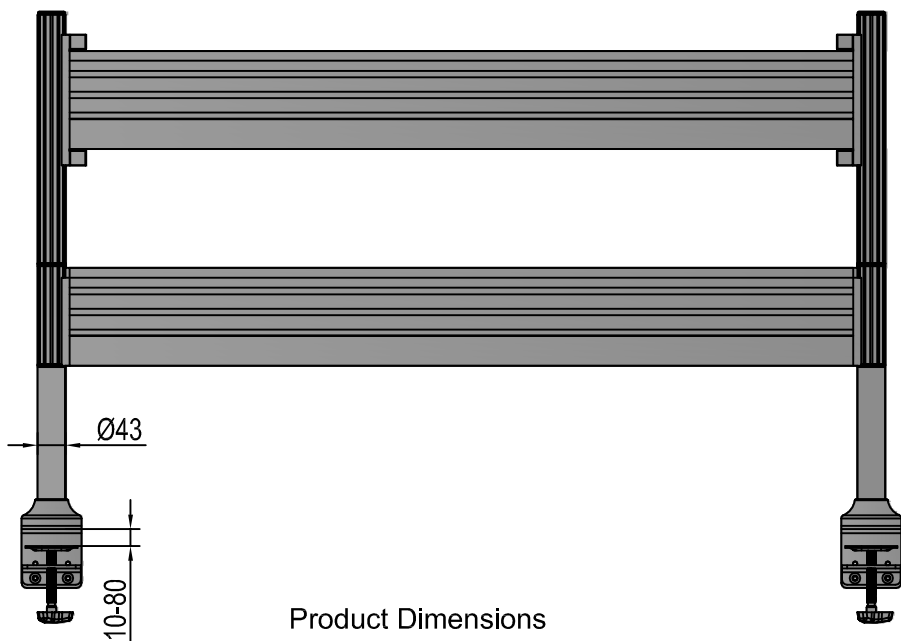
Product name: Dual rail slatwall

Model No.: PF-B



Product Features	Technical parameter						
<ul style="list-style-type: none"> Made by aluminum, steady with aesthetics appearance. Double slatwall system validly reorganise the desktop, solve the obsession from the complicated work environment. Height adjustment makes the system more flexible. 							Desk clamp
	Length(L)	Height(H)	Lift	Packing size	NW(kg)	GW(kg)	Desk thickness (mm)
	1200mm	150mm	700mm	1270mm*410mm*165mm	17.2	20.3	80
	1400mm	150mm	700mm	1470mm*410mm*165mm	19	22.5	
1600mm	150mm	700mm	1670mm*410mm*165mm	20.8	25		

mm



Product Dimensions

