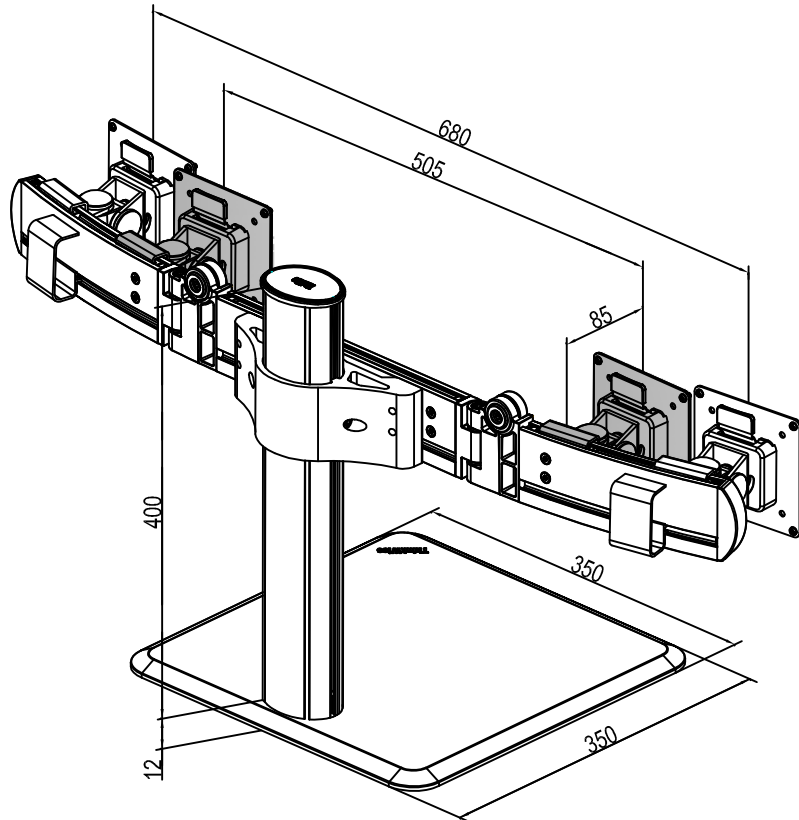


# Product name: Dual lcd monitor stand

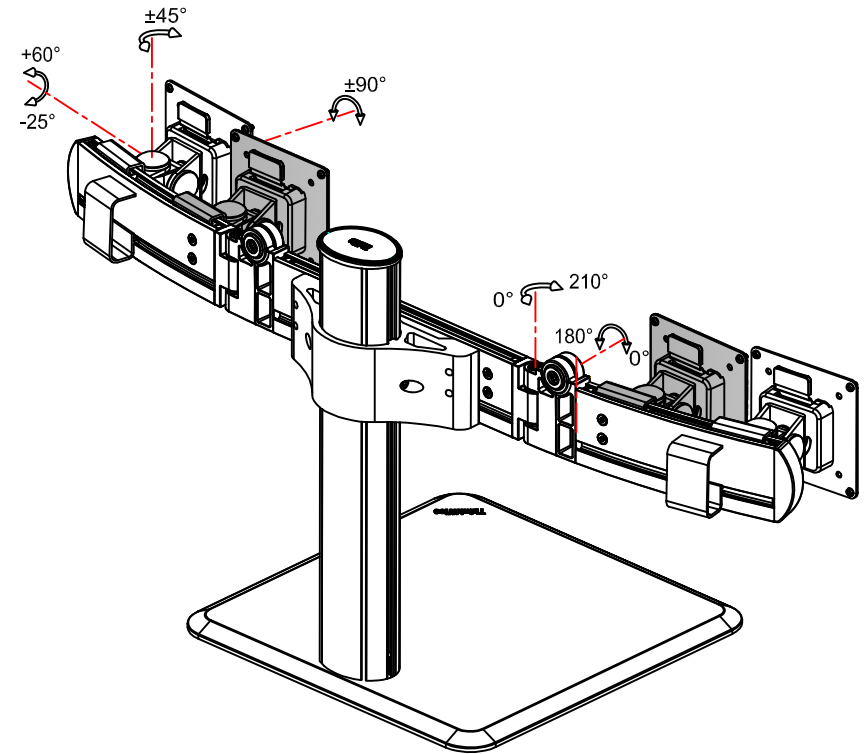
## Model No.: L204



Product Features	Technical parameter										
<ul style="list-style-type: none"> <li>Made by AL380 with the anodizing appearance. Mainly used in the controlling, finance, and monitoring systems.</li> <li>With the internal cable management, making the desk more concise and artistic.</li> <li>More functional arm design could make the monitors slide easily, the left and right arms could stretch back and forward, folding up and down.</li> </ul>											Stand base mount
	LCD Size	Wt.Capacity(kg)	Lift(mm)	Tilt	Swivel	Pivot	VESA	Packing size(mm)	NW (kg)	GW(kg)	LXW(mm)
	≤24"	11	400	+60° ~ -25°	±45°	±90°	75*75 100*100	L203Inner: 875*265*180 DPInner: 400*400*45	5.4 2.3	6.8 2.6	350x350



Product Dimensions



Multifunctional adjustment figure