

Product name: Dual lcd monitor stand

Model No.: L201

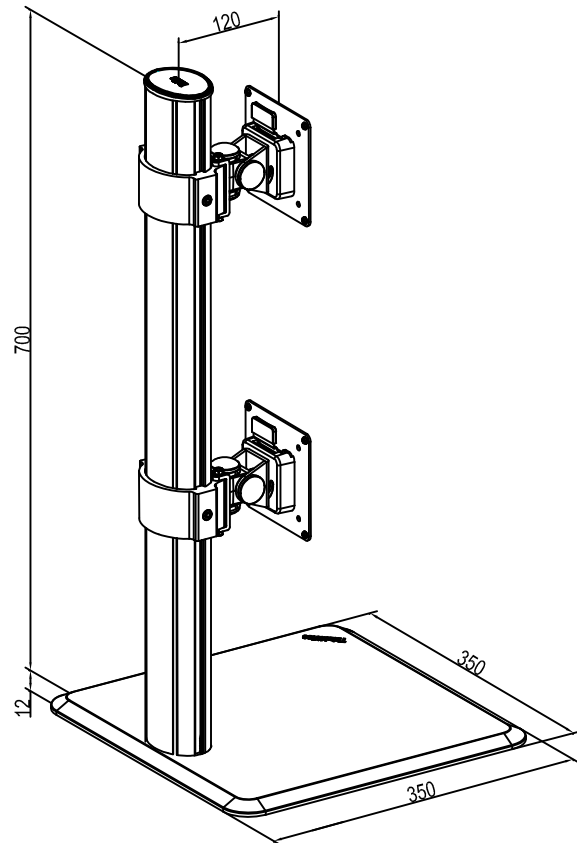


Product Features

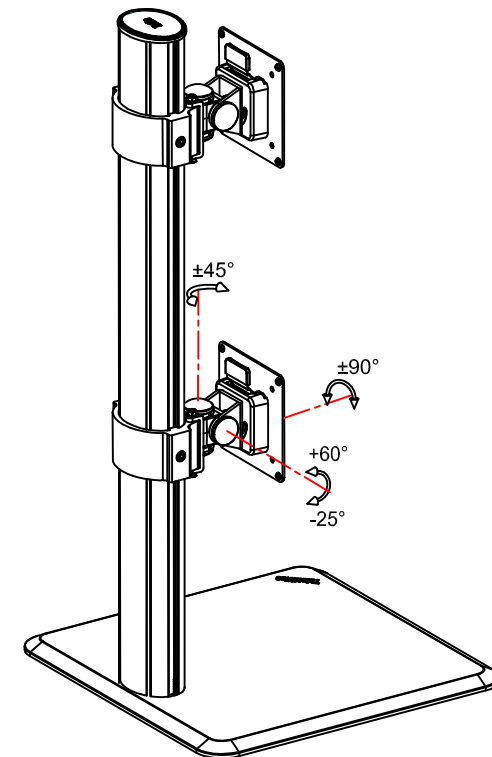
- Made by AL380 with the anodizing appearance. Mainly used in the controlling, finance, and monitoring systems.
- With the internal cable management, making the desk more concise and artistic.

Technical parameter

											Stand base mount
	LCD Size	Wt.Capacity(kg)	Lift(mm)	Tilt	Swivel	Pivot	VESA	Packing size(mm)	NW (kg)	GW(kg)	LXW(mm)
	≤24"	11	700	+60° ~ -25°	±45°	±90°	75*75 100*100	L200Inner: 840*180*180 DPInner: 400*400*45	4.5 2.3	5.2 2.6	350x350



Product Dimensions



Multifunctional adjustment figure