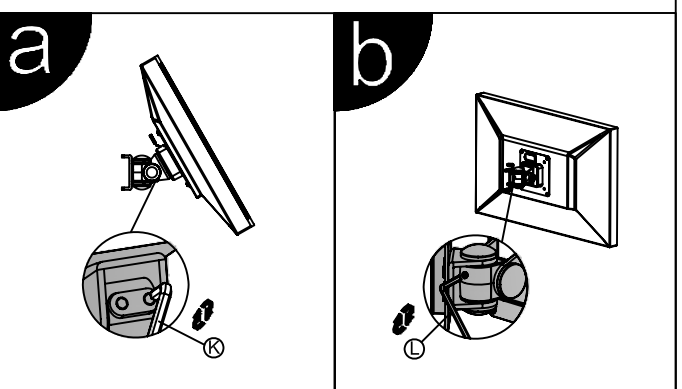
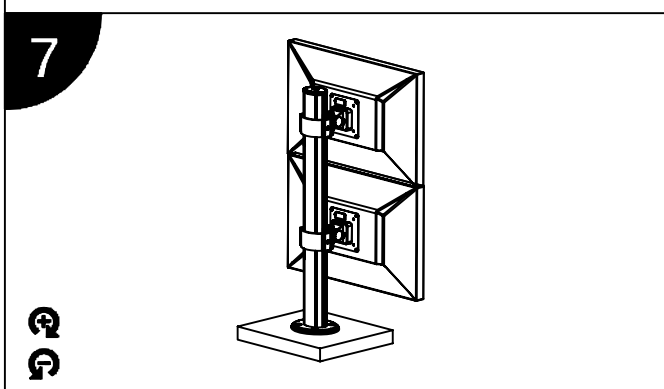
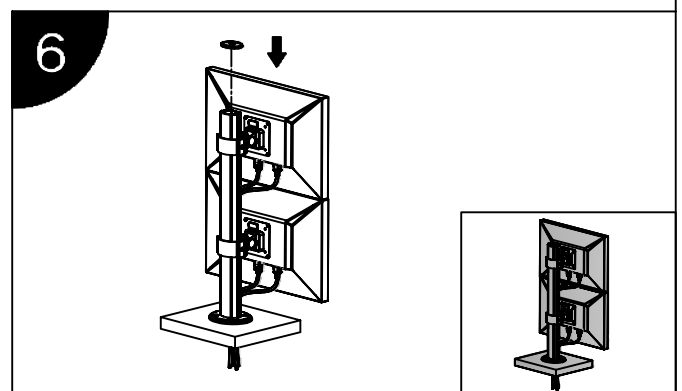
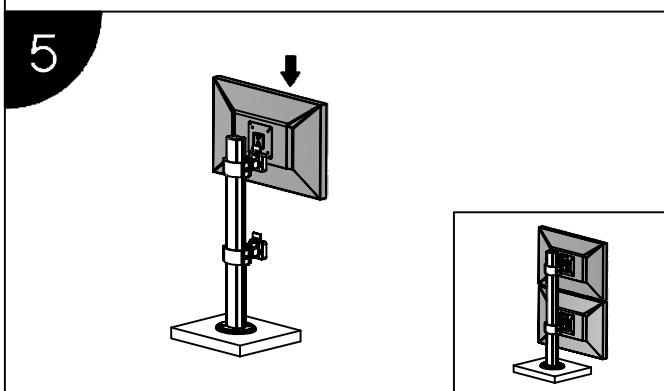
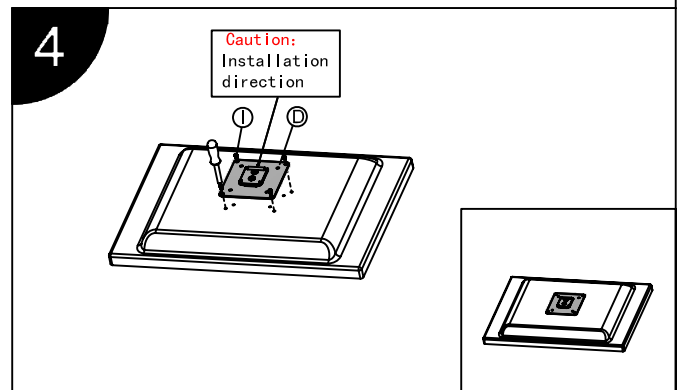
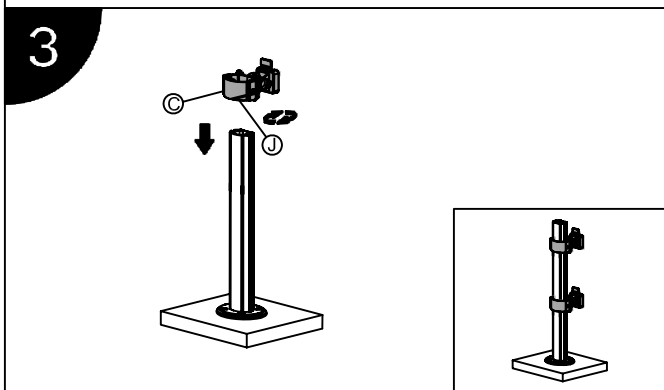
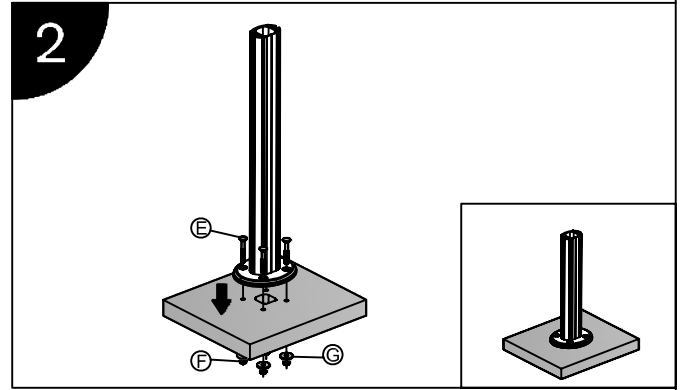
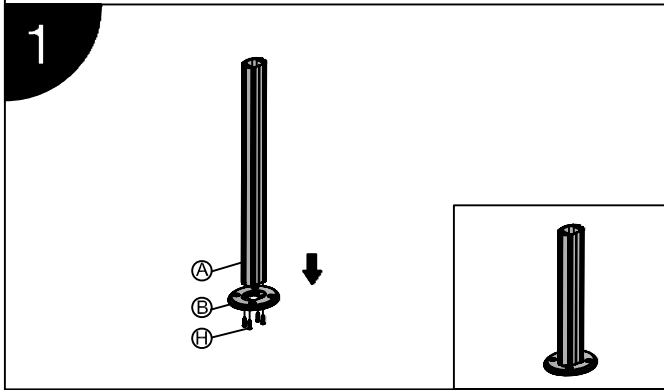


Installation Manual


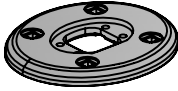










Model No. : L200

Installation Steps



Installation Manual

Model No. : L200

Parts list			
No.	ITEM	SPECS	QUANTITY
A			1
B			1
C			2
D			2
E		M8*60	4
F		M8Cap	4
G		M8Gasket	4
H		M5*25	4
I		M4*12	8
J		M5	1
K		M4	1
L		M3	1